

- Type 1001 - fully Framed Balustrade**
- Standard with 6mm Toughened Safety Glass to AS1288
  - Choice of Top/Hand Rails available
  - Post spacing max 1500mm @1000H - to be confirmed by Engineer.
  - Post spacing max 800mm @1700H - to be confirmed by Engineer.
  - Glass heights greater than 980mm must be captured on 4 sides or heavier glass must be used to AS1288.
  - Typical installation methods - Timber, concrete or Steel.
  - Structural integrity of fixing method and balustrade post spacing to be confirmed by Structural Engineer to AS1170.
  - Refer to drawing 1001-3 for further details.
  - Note that all balustrading must be a minimum of 1000mm from finish floor levels and any balustrade that is installed on a structure that is more than 4 metres from the ground level below must not include any foot hold greater than 10mm in the non climbing zone typically between 150mm and 760mm from finish floor level.
  - Any toughened glass on the edge of the building facade more than 5 mtrs from ground level must be Heat Soaked in accordance with AS1288.

**© COPYRIGHT 2018**  
 These drawings, designs and intent are the property of Nu-Lite Balustrading. They cannot be copied, altered or reproduced without the written consent of Nu-Lite Balustrading Pty. Ltd.

**Product Specification:**  
 Type 1001 balustrade system  
 45 x 45mm stanchions  
 27-60 x 70mm top rail (Varies on profile used)  
 Standard Powder coat finish  
 6mm Clear Toughened Safety Glass as Standard to AS1288

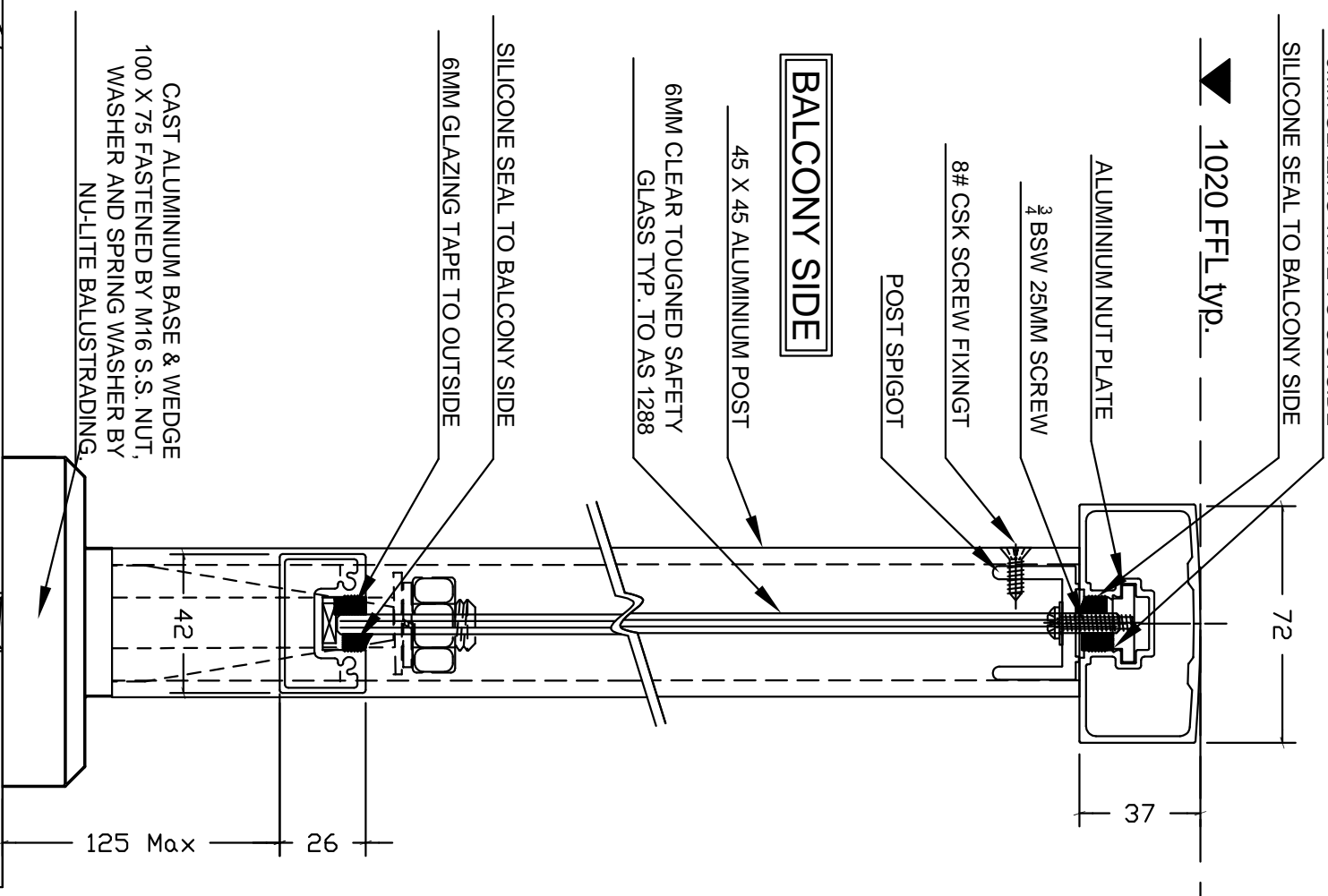
**Drawing Notes:**  
 - all sizes shown are approximates only and are to be confirmed  
 - all glass types and thickness are to conform to AS1288  
 - frame member span, frame members and fixings are to be checked for structural adequacy by Structural Engineer to conform with AS1170

**NU-LITE BALUSTRADING**  
 4 NICHOLAS DRIVE  
 DANENONG SOUTH 3175  
 TELEPHONE: 03 9706 6766  
 EMAIL: info@nu-lite.com.au  
 WEB: www.nu-lite.com.au

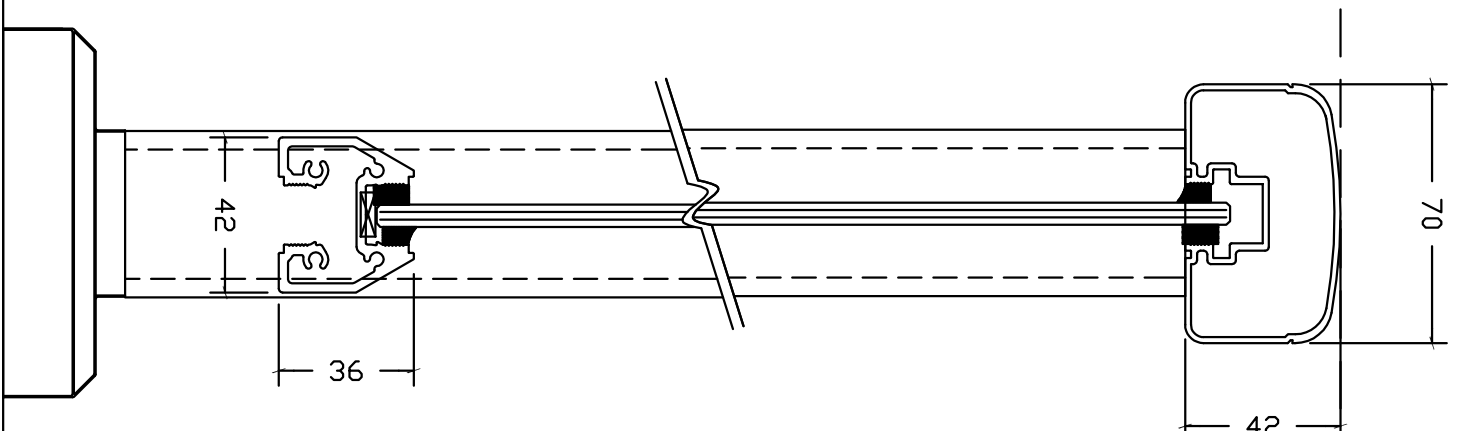
**PRODUCT:**  
 NU-LITE TYPE 1001 SUITE  
 FULLY FRAMED GLASS BALUSTRADE

Drawn: TC  
 Date: Oct 2018  
 Scale: 1 : 20  
 Drawing No: 1001-1  
 Rev: -

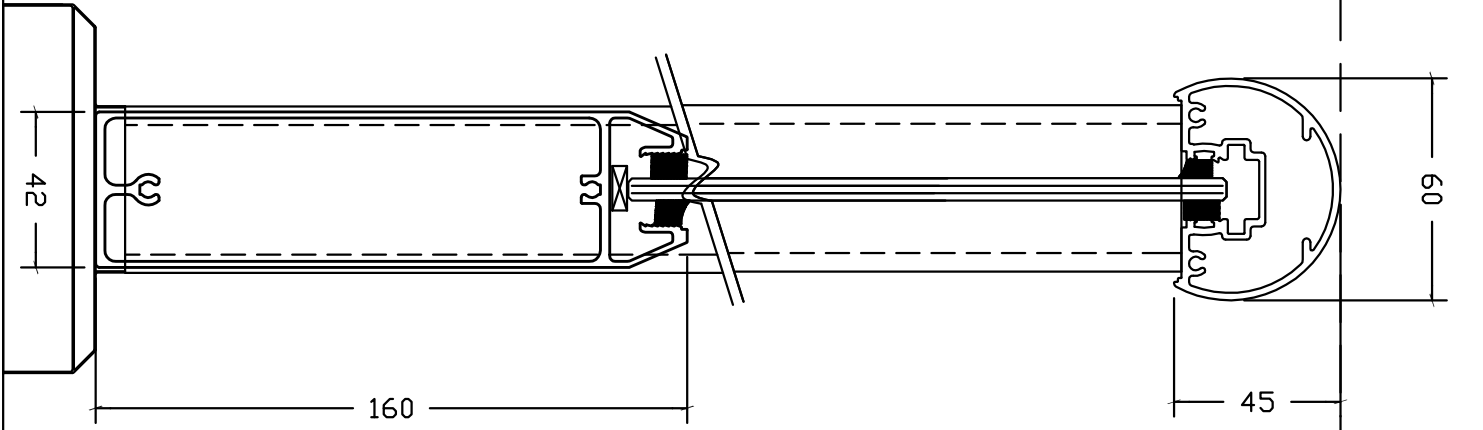
**Rectangular Handrail**



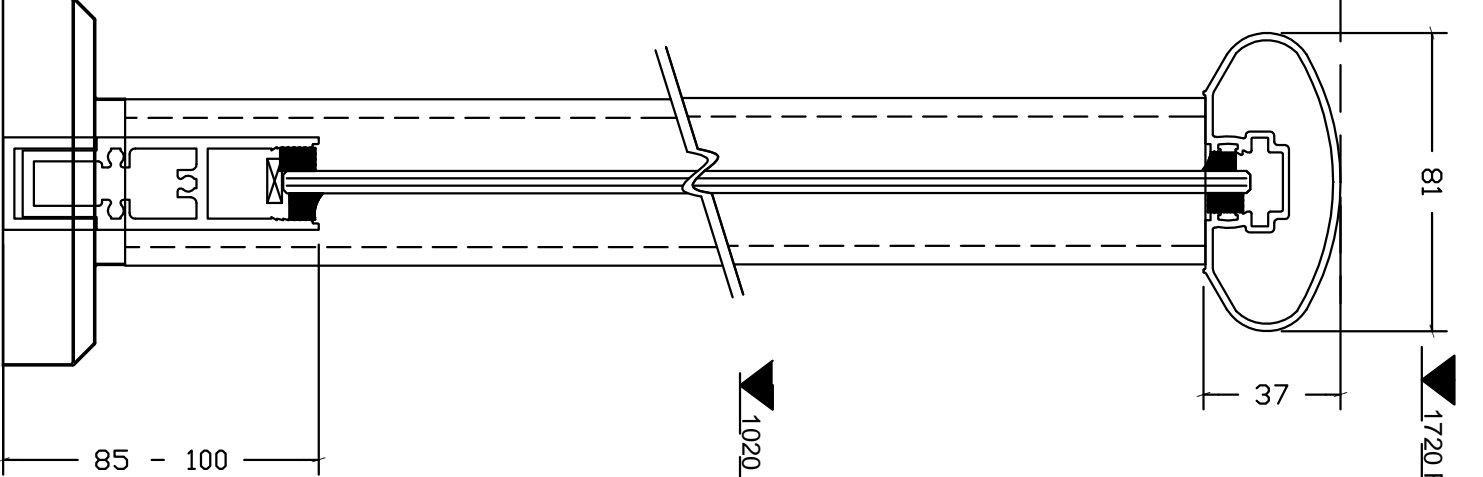
**Oblong Handrail**



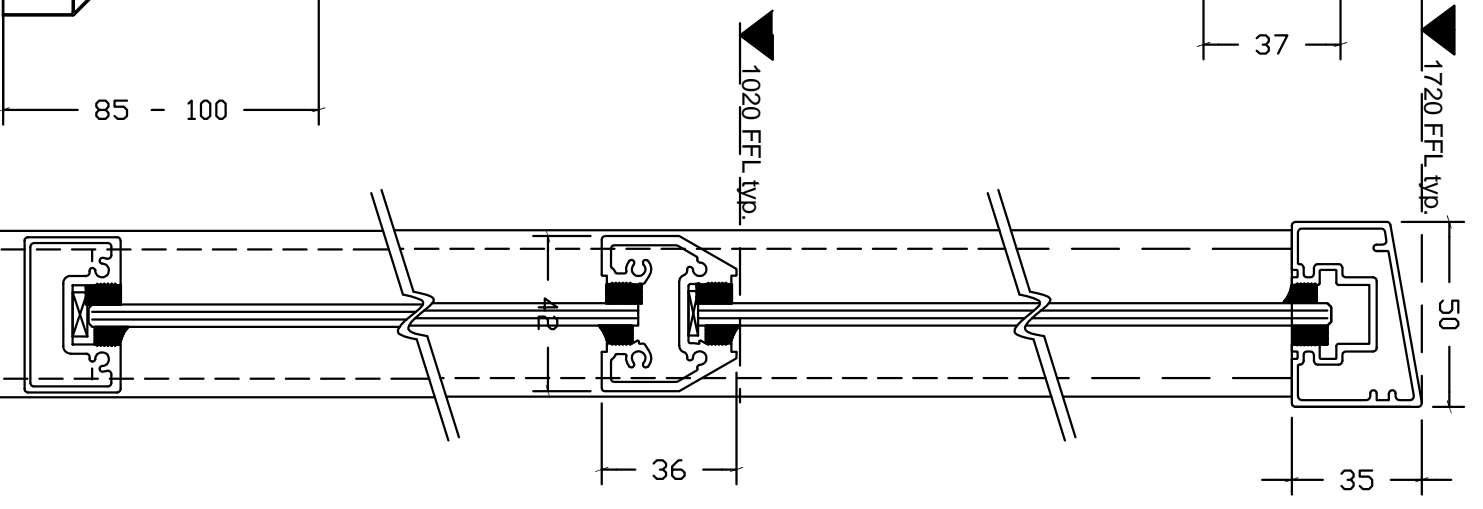
**Flat Round Handrail**



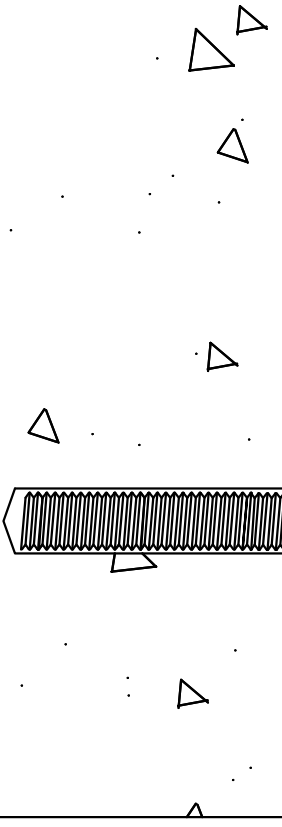
**Elliptical Handrail**



**Sloping Handrail**



**Standard Bottom Rail**



Mid Rail as Bottom Rail  
 Eliminate foothold

Large Bottom Rail  
 to allow for Screed and Tiles

Intermediate Bottom Rail to  
 allow for Screed and Tiles

1700 High screen Mid Rail  
 and Bottom Rail for Live edge  
 compliance

**1 DETAIL**

SCALE 1 : 2

**BALUSTRADE TYPE 1001**  
 (TYPICAL SECTION)

**© COPYRIGHT 2018**  
 These drawings, designs and intent are the property of Nu-Lite Balustrading. They cannot be copied, altered or reproduced without the written consent of Nu-Lite Balustrading Pty. Ltd.

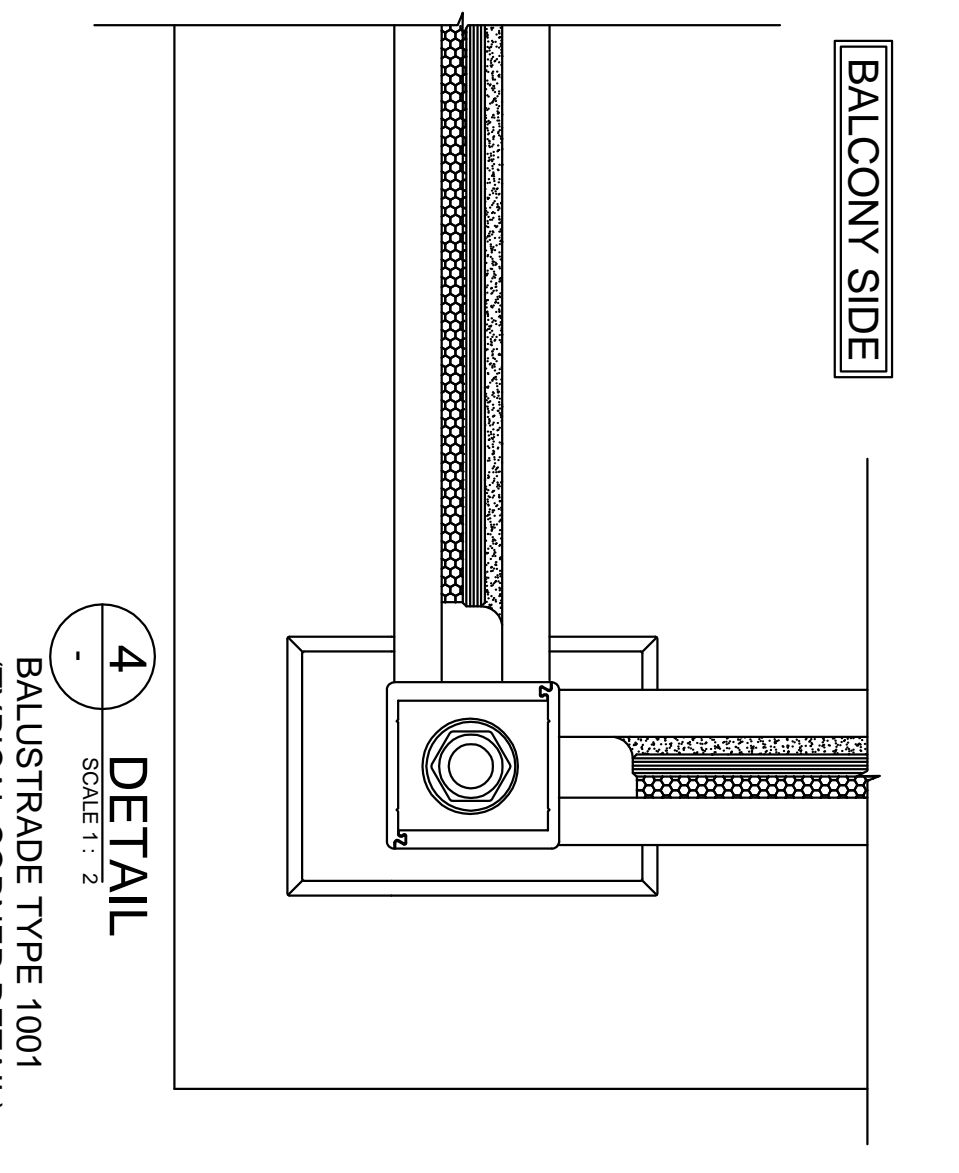
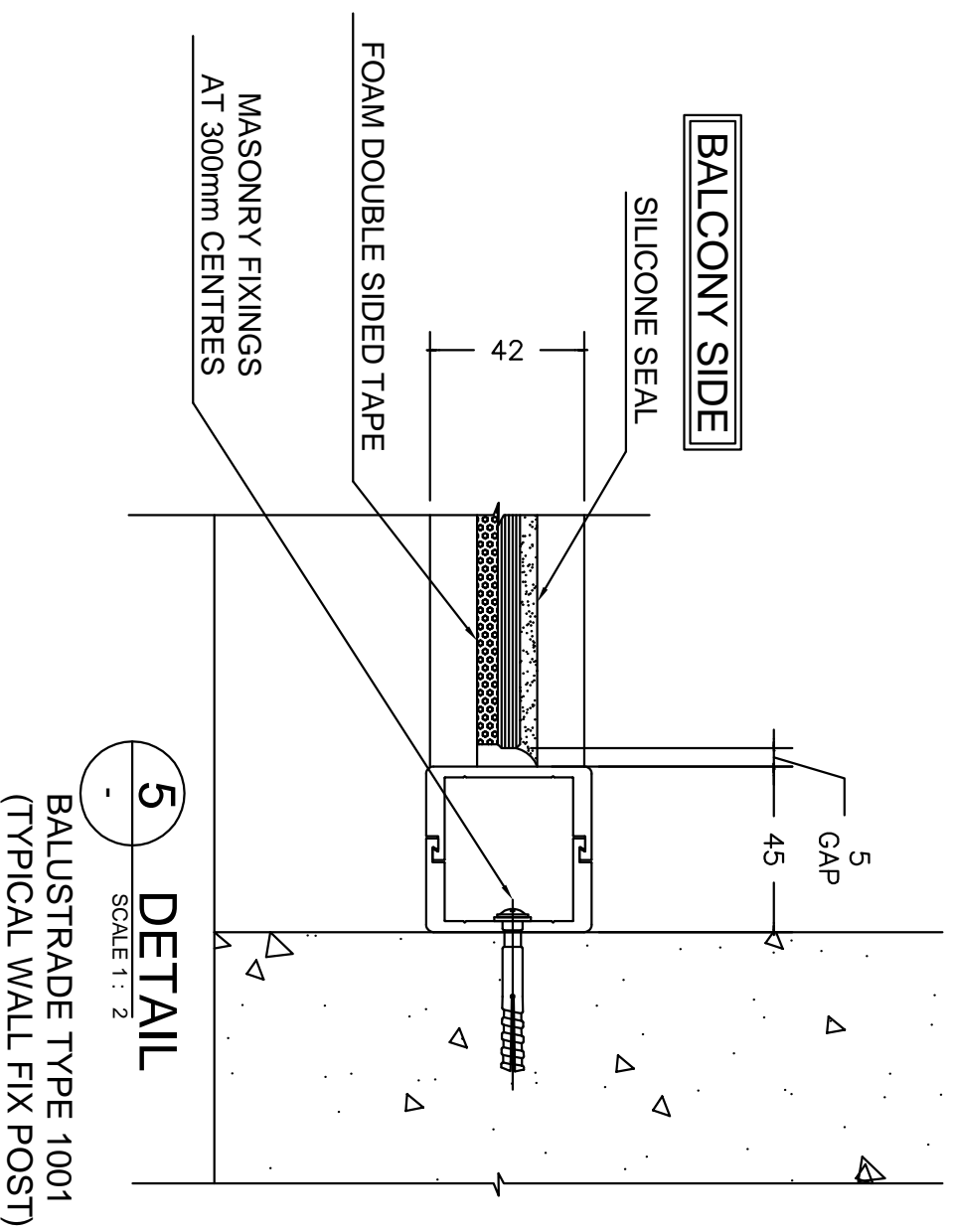
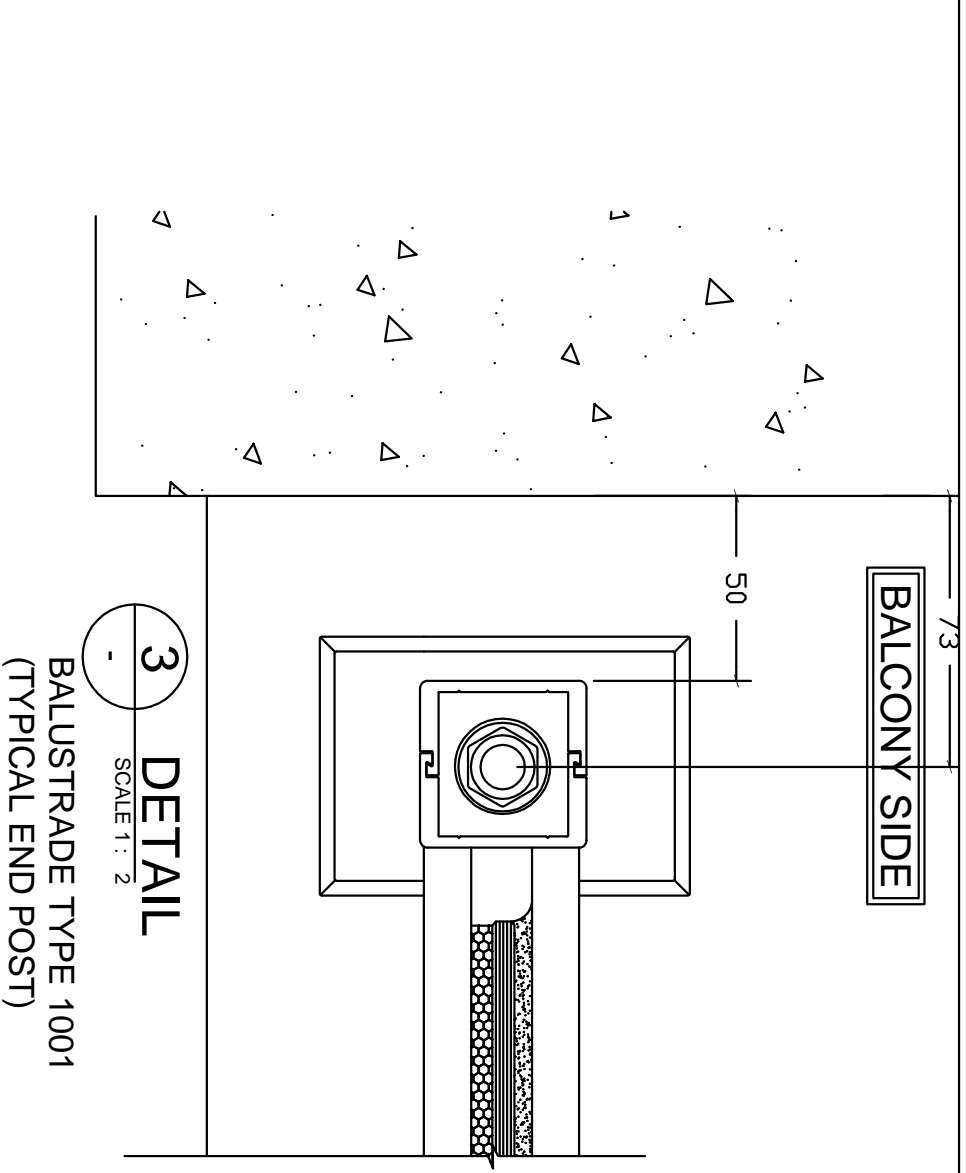
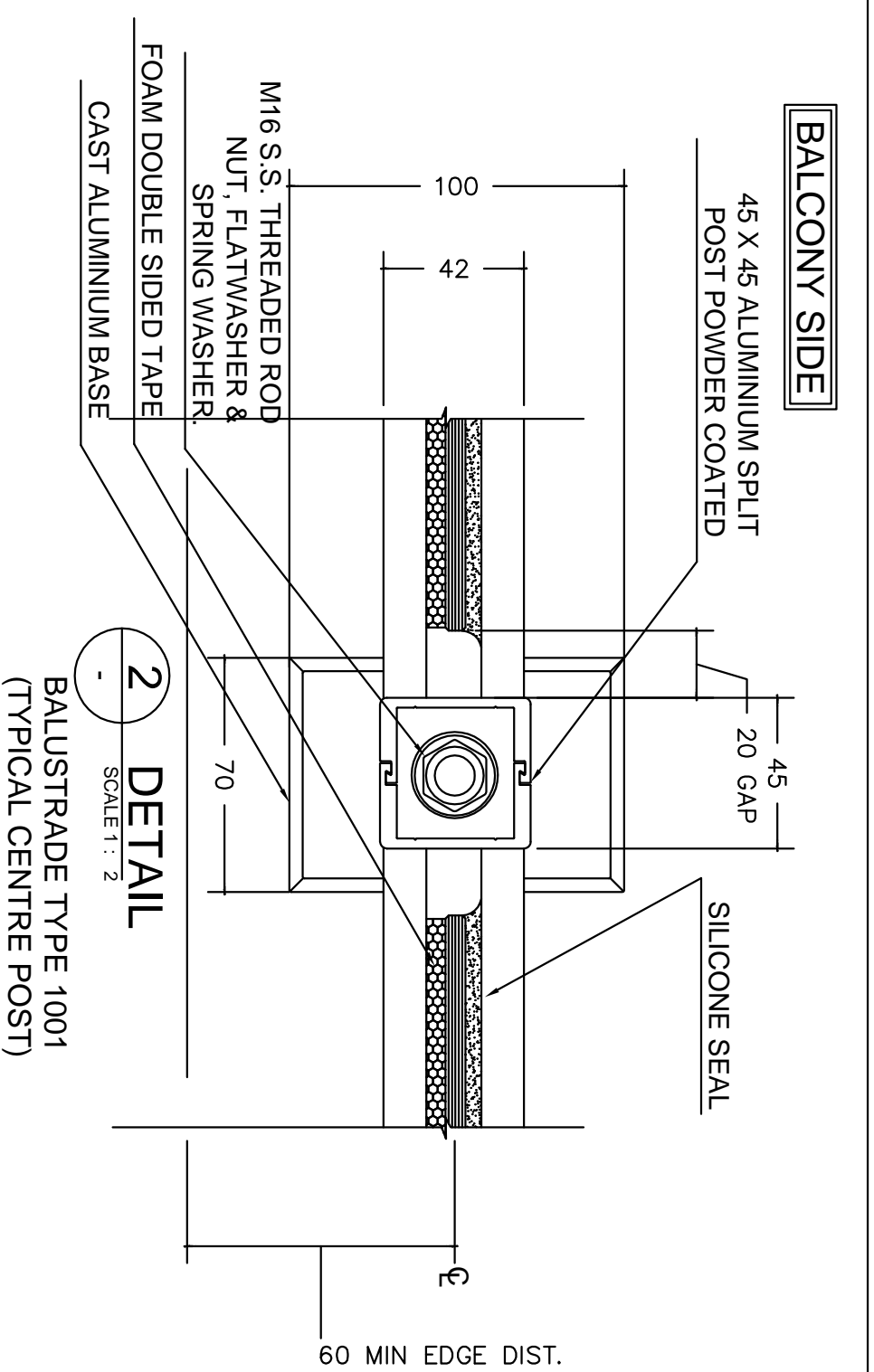
**Product Specification:**  
 Type 1001 balustrade system  
 45 x 45mm stanchions  
 37-45 x 70mm top rail (Varies on profile used)  
 Standard Powder coat finish  
 6mm Clear Toughened Safety Glass as Standard to AS 1288

**Drawing Notes:**  
 - all sizes shown are approximates only and are to be confirmed  
 - all glass types and thickness are to conform to AS1288  
 - frame member span, frame members and fixings are to be checked for structural adequacy by Structural Engineer to conform with AS1170

**NU-LITE BALUSTRADING**  
 4 NICHOLAS DRIVE  
 DANENONG SOUTH 3175  
 TELEPHONE: 03 9706 6766  
 EMAIL: info@nu-lite.com.au  
 WEB: www.nu-lite.com.au

**PRODUCT:**  
 NU-LITE TYPE 1001 SUITE  
 FULLY FRAMED GLASS BALUSTRADE

Drawn: TC  
 Date: Oct 2018  
 Scale: 1 : 2  
 Drawing No: 1001-2  
 Rev: -



**© COPYRIGHT 2018**  
These drawings, designs and intent are the property of Nu-Lite Balustrading. They cannot be copied, altered or reproduced without the written consent of Nu-Lite Balustrading Pty. Ltd.

**Product Specification:**  
Type 1001 balustrade system  
45 x 45mm stanchions  
37-45 x 70mm top rail (Varies on profile used)  
Standard Powder coat finish  
6mm Clear Toughened Safety Glass as Standard to AS1288

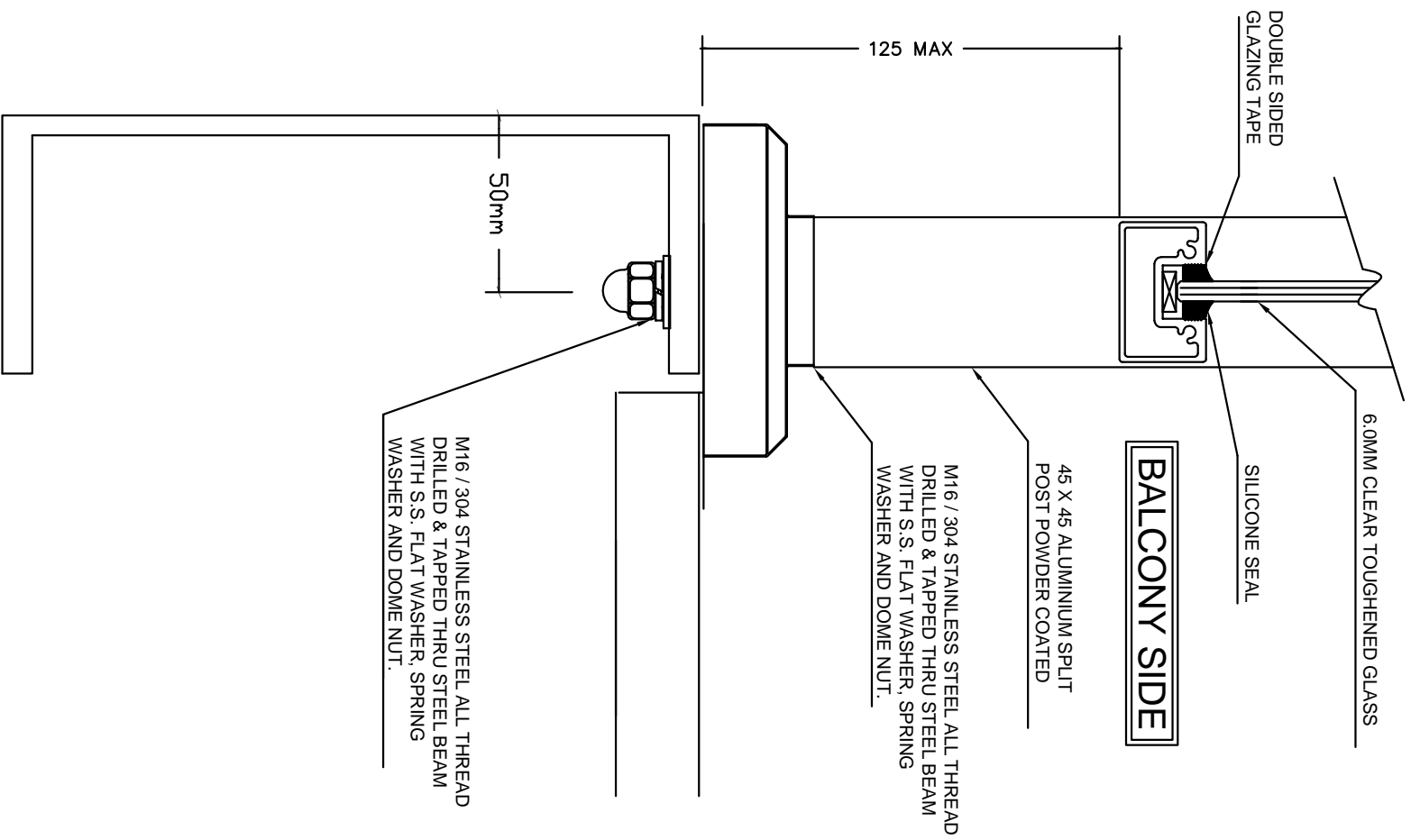
**Drawing Notes:**  
- all sizes shown are approximates only and are to be confirmed  
- all glass types and thickness are to conform to AS1288  
- frame member span, frame members and fixings are to be checked for structural adequacy by Structural Engineer to conform with AS1170

**NU-LITE**  
**BALUSTRADING**  
TELEPHONE: 03 9706 6766  
EMAIL: info@nu-lite.com.au  
WEB: www.nu-lite.com.au  
4 NICHOLAS DRIVE  
DANENONG SOUTH 3175

**PRODUCT:**  
NU-LITE TYPE 1001 SUITE  
FULLY FRAMED GLASS BALUSTRADE

**Drawn:** TC  
**Date:** Oct 2018  
**Scale:** 1 : 2  
**Drawing No:** 1001 - 3  
**Rev:** -

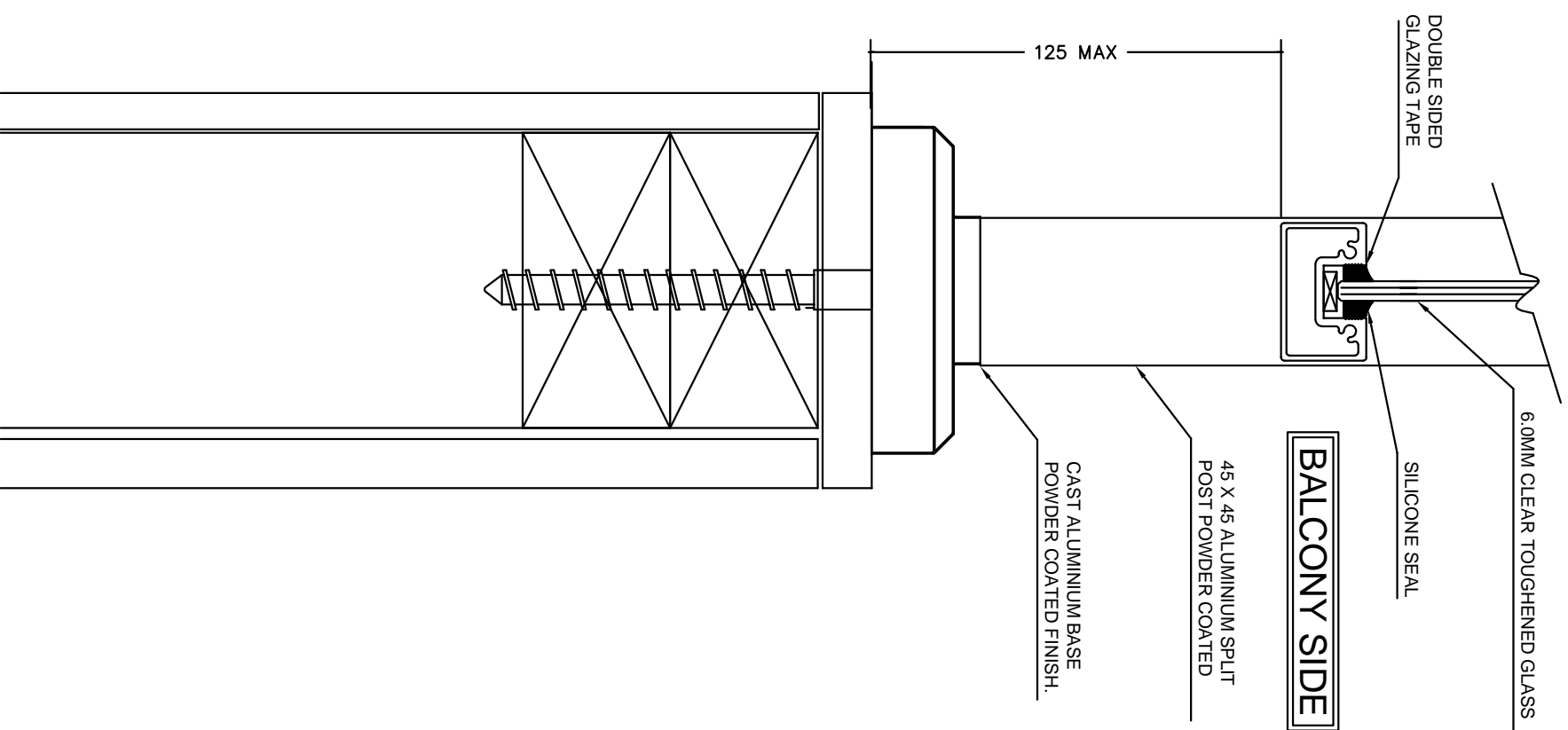
Alternate Fixing into  
steel beam



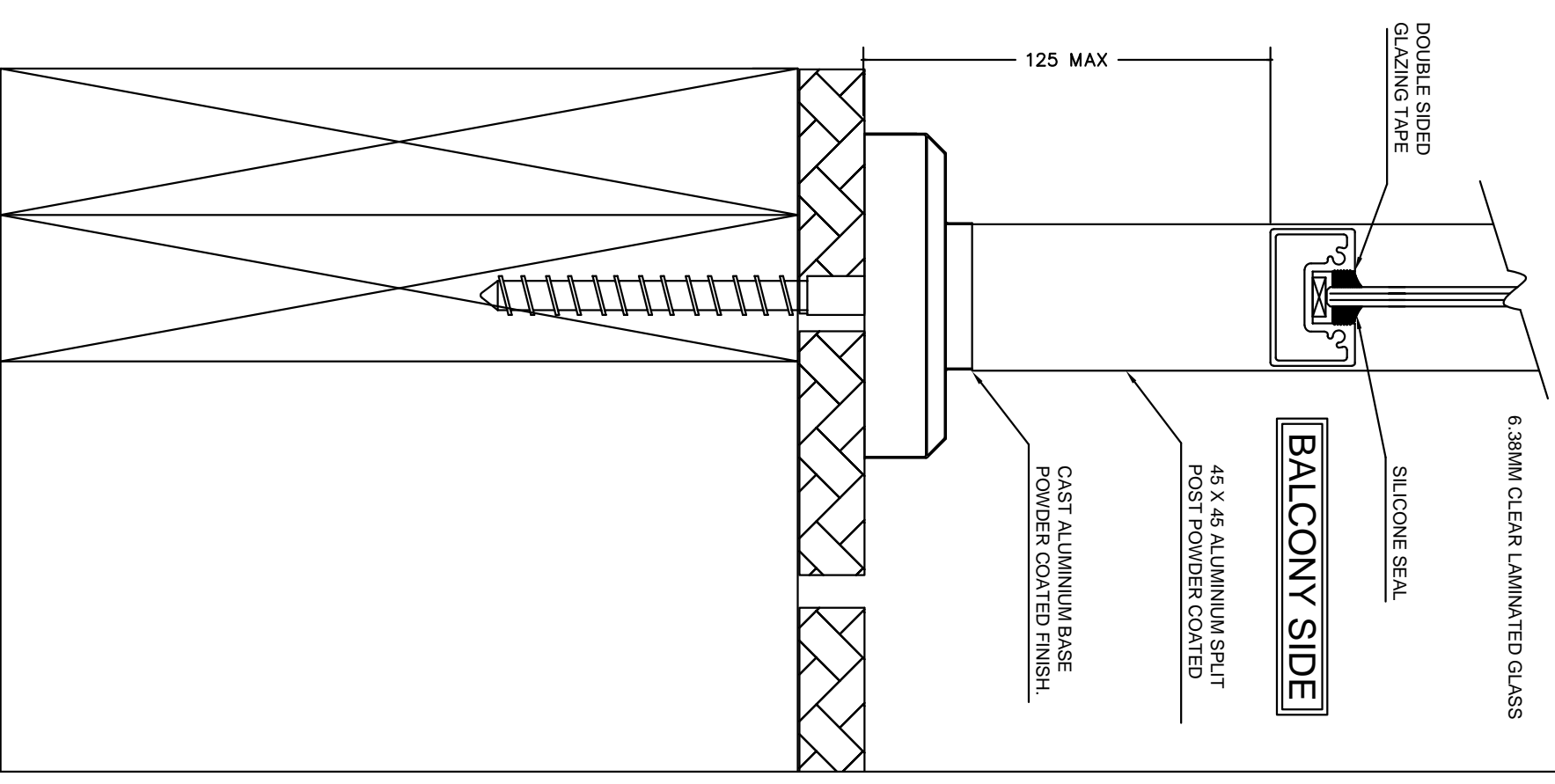
**Important Note:**

- Structural integrity of the structure and fixing to be confirmed by structural engineer to comply with loading code AS1170.

Alternate Fixing into  
Reinforced Stud Wall



Alternate Fixing into  
Structural Timber beam



© COPYRIGHT 2018

These drawings, designs and intent are the property of Nu-Lite Balustrading. They cannot be copied, altered or reproduced without the written consent of Nu-Lite Balustrading Pty. Ltd.

Product Specification:  
Type 1001 balustrade system

45 x 45mm stanchions  
37-45 x 70mm top rail (Varies on profile used)  
Standard Powder coat finish  
6mm Clear Toughened Safety Glass as Standard to AS1298

Drawing Notes:

- all sizes shown are approximates only and are to be confirmed  
- all glass types and thickness are to conform to AS1298  
- frame member span, frame members and fixings are to be checked for structural adequacy by Structural Engineer to conform with AS1170

**NU-LITE**  
**BALUSTRADING**

TELEPHONE: 03 9706 6766  
EMAIL: info@nu-lite.com.au  
WEB: www.nu-lite.com.au  
4 NICHOLAS DRIVE  
DANENONG SOUTH 3175

PRODUCT:

NU-LITE TYPE 1001 SUITE  
FULLY FRAMED GLASS BALUSTRADE

Drawn: TC  
Date: Oct 2018

Scale: 1 : 2

Drawing No: 1001-4  
Rev: -