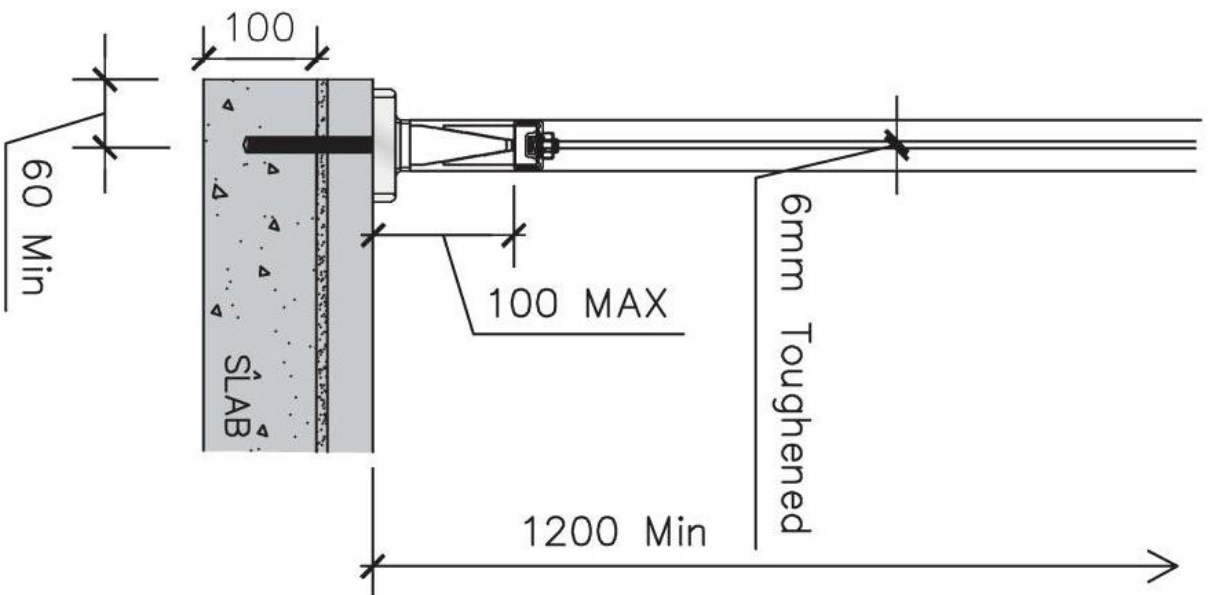
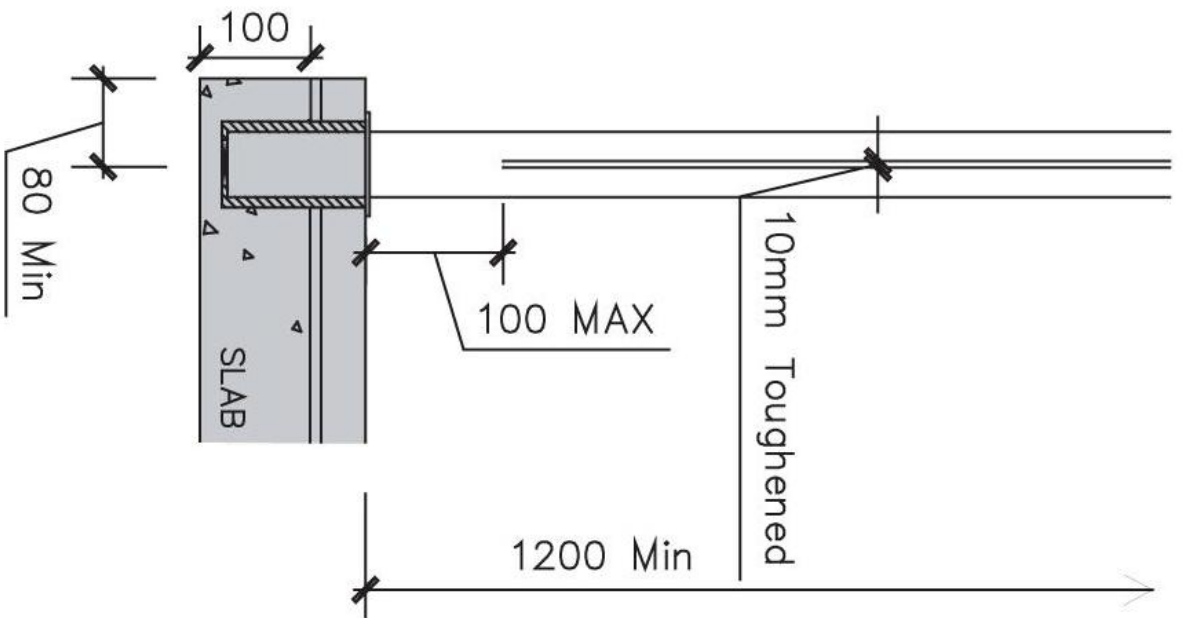


Post Timber Fix

Copyright Nu-Lite Balustrading 2008



Concrete Fix



Core & Grout Fix  
into Concrete