

NU LITE

BALUSTRADING



COMPANY PROFILE

Who we are

With over 18 years of experience in the glass and aluminium industry, Nu-lite Balustrading is considered to be the market leaders in the supply and installation of glass balustrading products.

From its inception to 2007, Nu-Lite Balustrading has completed work with an estimated value exceeding \$33 million and will add another \$6 million in the coming year.

We service both the domestic and commercial sectors and have recently introduced stainless steel products to our products range.

Our Mission

Nu-lite Balustrading will strive to remain market leader and continue to be a professional balustrading company, committed to providing a quality product that conforms to all relevant safety standards and backed by a 7 years guarantee.

History

Nu-Lite Balustrading was established in 1998 as a new division of Nu-Lite Windows as a way of value adding to an already made client base. Turning over approximately \$30,000 per month in its infancy in a domestic role through the acquisitions of some key personnel quickly grew to a multi million dollar business completing major projects for builders such as Mirvac and Bovis Lend Lease.

The business changed hands and was incorporated in 2003 with key personnel now taking ownership in the business together with a major glass supplier. Its growth has steadily continued now having completed in excess of 40 major commercial projects.

What we offer

Demonstrated Track Record

Completing 15 consecutive major projects for Mirvac Construction in the past 8 years is a testament to our quality, service, our ability to meet construction program and integrate with other trades.

Long-term Relationships

- Mirvac – 15 Major Projects
- Bovis Lend Lease – 4 Major Projects
- L.U. Simons – 4 Major Projects
- Probuild – 3 Major Projects
- Qanstruct – 6 projects
- Hickory Developments – 5 Major Projects

Experienced people

Nu-Lite prides itself on the quality and professionalism of our employees. We have staff with many years of experience in Glass, Aluminium, Stainless Steel and Engineering allowing us to provide cost effective solutions for design and construct projects.

Research & Development

Over the past 8 years utilising our experience we have been able to develop new balustrade and privacy screen systems which exceed all relevant Australian Standards.

OH&S Management

We are committed to developing and maintaining a strong safety culture in all aspects of our business. We have developed a comprehensive safety plan and conduct compulsory training and induction programs for employees and subcontractors.

Industry Affiliations

Nu-Lite Balustrading is proud to be a member of SPASA (Swimming Pool & Spa Association) and complies with and supports the Victorian Building Industry Agreement (VBIA) maintaining a healthy relationship with Unions and other authorities.

Our achievements

Nu-Lite has completed more than 40 major Commercial Balustrading projects and is considered to be the market leader in the supply and installation of Glass Balustrading in Victoria. Past and present projects include:

Residential

- **Yarra's Edge Tower 1**
30 Storey Residential Tower
40 Lorimer St Docklands
- **Yarra's Edge Tower 2**
20 Storey Residential Tower
50 Lorimer St Docklands
- **Yarra's Edge Tower 3**
30 Storey Residential Tower
50 Lorimer St Docklands
- **Yarra's Edge Tower 4**
29 Storey Residential Tower
70 Lorimer St Docklands
- **Yarra's Edge Tower 5**
40 Storey Residential Tower
60 Lorimer St Docklands
- **Beacon Cove Block E**
10 Storey Residential Tower
15 Beach St Port Melbourne
- **Beacon Cove Stage 8**
11 Storey Residential Tower
Beach St Port Melbourne
- **Beacon Cove Beach 1**
2 Storey Residential
Beach St Port Melbourne
- **Beacon Cove Beach 2**
4 Storey Residential
Beach St Port Melbourne
- **Beacon Cove First Point homes**
9 x 2 Storey Residential Apartment
Beach St Port Melbourne
- **SY21 – Chapel**
10 Storey Residential Tower
Chapel St South Yarra
- **SY21 – Chapel Mews**
10 Storey Residential Tower
Chapel St South Yarra
- **SY21 Malcolm**
10 Storey Residential Tower
Chapel St South Yarra
- **Abingdon Apartments**
3 x 3 Storey Res. Buildings
Canterbury Rd Canterbury
- **Lorne Chalet Apartments**
2 x 4 Storey Res Buildings
Smith St Lorne
- **Conder Apartments**
20 Storey Residential Tower
New Quay Docklands
- **Dock 5 Apartments**
30 Storey Residential Tower
Bourke St Victoria Harbour
- **Landmark Apartments**
29 Storey Residential
30 Lonsdale St Melbourne
- **Eight Apartments**
20 Storey Residential
6-8 Dorcas St South Melbourne
- **Swinburne Student Accom.**
2 x 7 Storey Res. Apartment
Wakefield St Hawthorn
- **Wills Tower**
19 Storey Residential Tower
Wills St Melbourne
- **Village Docklands**
19 Storey Residential
Flinders St Melbourne
- **95 & 59 Knot St Apartments**
2 x 6 Storey buildings
Knot St Port Melbourne
- **D1 Apartments**
9 Storey Res Apart.
Bouverie St Carlton

- **Ocean Apartments**
7 Storey Residential Building
New St Brighton
- **Gateway Apartments**
4 Storey Residential Building
St Kilda St Elwood
- **200 The Esplanade**
3 Storey Apartment Building
Brighton
- **Peel Street Project**
4 Storey Res. Building
Peel St North Melbourne
- **High Street Project**
4 Storey Res Building
43 High St Preston

Shopping Centres

- **Eastland**
Voids, Travelators,
Cafes & Link bridges
Ringwood St Ringwood.
- **Waverley Gardens**
Voids, Travelators & Cafes
Police Rd Mulgrave

Offices & Schools

- **Kato Street Project**
4 Level Internal Voids & Stairs
Hawthorn
- **Medibank**
10 Level Winter Garden
700 Collins St Melbourne
- **Bialik College**
Main Stair & Link Bridge
Auburn Rd Hawthorn
- **Ivanhoe Girls Grammar**
Entrance, Voids & Stairs
Noel St Ivanhoe
- **University High School**
Curved Void & Stairs
Story St Carlton



Eight Apartments



Condor Apartments



Village Docklands



Yarra's Edge Tower 5



Yarra's Edge Precinct



SY21 – Chapel St



Lorne Chalet



Verdant St Toorak

TYPE 1001



POOL FENCING

**Frameless, Semi Frameless,
Fully Framed Glass,
Aluminium & Stainless Steel Pool Fencing**

FRAMELESS



TYPE 1001



For most pool owners, safety and appearance is of paramount importance. Although current regulations ensure that all pools now have safety fencing, many of the available designs do little to enhance the appearance of your pool and garden. Nu-Lite fencing not only exceeds the minimum safety requirements, but also offers a range of stylish glass enclosures to suite the look of any home.

Nu-Lite's pool enclosures are manufactured from powder coated aluminium and stainless steel for a rust and maintenance free life. Our unique split wedge base anchorage system with concealed bolt fixings combines uncluttered lines with maximum strength.

All enclosures feature a child-safe gate locking system using the latest technology in captive closing latches, with solid stainless steel mechanisms and self closing hinges.

With many elegant designs and colours on offer, you can choose whether the enclosure will become a feature of your garden or blend into the existing surroundings. A Nu-Lite pool safety enclosure will add beauty, value and security to your home, complementing your garden and pool with that extra touch of luxury.

FRAMELESS





FRAMELESS



NU-LITE 2000



NU-LITE 2000

Nu-Lite Pool Fencing meets the stringent requirements of AS1926, AS1288 and is installed to comply with all relevant standards. Nu-lite prides itself on quality, service and supports all their products with a 7 year guarantee against faulty workmanship or product failure*. *(Conditions apply, ask to see our Terms & Conditions)

Nu-Lite's range of products includes powder coated aluminium, A-grade toughened safety glass and marine grade stainless steel semi-frameless and fully framed fencing, frameless glass in concrete rebate and a number of frameless clamp systems. Post spacing of up to 1800mm can be achieved in certain circumstances and maximum panel sizes of up to 2200mm for frameless glass.

At what stage should I arrange for a free consultation/quotation?

In order to maintain the highest quality it is extremely important to get it right the first time. A free consultation/quotation in the early stages of basic construction will enable us to explain fixing details. We have to take into consideration: application of waterproof membrane, tiling, timber supports, core drilling or concrete rebates. Waiting until everything is completed often requires lifting newly laid tiles (risking damage) and makes installation far more difficult and costly.



FRAMELESS WITH FLOOR SPRING GATE

FULLY FRAMED

3 SIDED

FRAMELESS HINGE

BALUSTRADING

Nu-Lite's balustrading systems were designed to cater for the growing demand for a prestige product to complement the ever increasing designs of modern-day housing and buildings. Nu-Lite's balustrading adaptability makes it perfect for both residential and commercial properties. Built to the same exacting standards as our pool enclosures, Nu-Lite's design and range of balustrading and safety rails exhibit the strength and elegance that people come to expect.

Balconies, decking, staircases, patios can all be enhanced with custom-made balustrading designed to suit your home or premises. Nu-Lite's powder coated aluminium or 316 marine grade stainless steel balustrading can easily be tailored to fit the most difficult balcony or staircase application.

Toughened safety glass panels provide wind protection whilst retaining views, and are available in clear, opaque or in a range of coloured tints to improve privacy and reduce glare.

We produce simple, evenly spaced balusters or architecturally designed panels with a choice of top-rail profiles. Our individually made handrail systems fit perfectly at any angle and are accurately laser levelled for a perfect fit. Internal or external, existing or new premises, we can create a Nu-Lite balustrading that is both stylish and functional.

Nu-Lite's balustrading is manufactured from powder coated aluminium and stainless steel for a rust and maintenance free life. Our unique base anchorage system has concealed fixings, giving the entire installation uncluttered lines with maximum strength, complying with AS1170. All glass and glazing is installed to AS1288 and is toughened for safety and strength.



TYPE 1001



FRAMELESS WITH HANDRAIL



YARRA SUITE



TYPE 1012 PATCH

STAINLESS STEEL BALUSTRADING

Nu-Lite's Stainless Steel products are made to the same exacting quality as our aluminium products and can be used in all applications, from internal stair railing to pool fencing. Our Stainless steel products are produced from the highest quality 316 grade stainless steel and provide an elegant and stylish look when used in conjunction with heavy weight toughened glass. Used in both commercial and domestic applications, the large number of standard stainless steel sections available gives us the opportunity to design and construct even the most complex architectural designs.

We have a fully qualified architectural stainless steel fabricator heading our stainless steel division whom is accustomed to producing the highest quality workmanship and customer satisfaction.

Marine Grade 316 stainless steel is used for all external applications. Although using the highest quality stainless steel product, all stainless steel over time will tarnish and require some form of cleaning or maintenance. This surface rust, also known as tea staining, does not affect the structural adequacy of the product used and tends to be accelerated in certain conditions such as coastal regions.



TYPE 1001



STAINLESS PATCH



STAINLESS BALUSTRADING



TYPE 1002



TYPE 1001



STAINLESS PATCH

PRIVACY SCREENS



With the introduction of medium density housing and apartment complexes, privacy and over looking issues are becoming more prevalent. Nu-Lite's range of products can be adapted to provide minimal privacy with the use of tinted glass or maximum privacy with translucent or matelucant glass. Privacy Screen can be made as fully framed or semi frameless. As these screens are generally from 1000mm – 1700mm high the post spacing need to be closer together to cope with wind loading conditions. Consult with one of our friendly sales staff for confirmation of spacing.



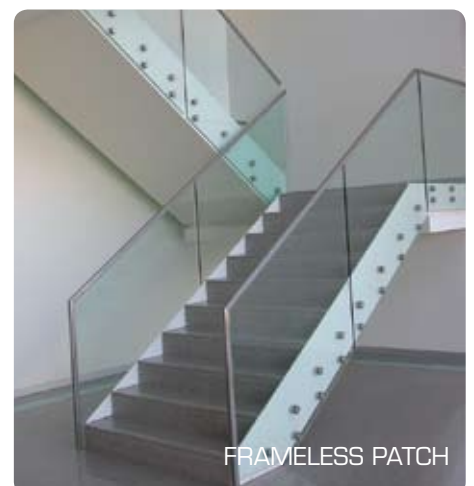
CAFÉ SCREENS

Just like our privacy screen, Nu-Lite's products can also be adapted for uses as café screens and or dinning area partitions. With the newly introduced smoking laws banning smoking in bars and clubs, Nu-Lite's café screening can provided an aesthetically pleasing solution to creating a suitable outdoor area for patrons.



STAIRS

Nu-Lite can produce modern solutions for stair balustrading utilising glass and stainless steel. The use of glass balustrading on stairs gives maximum light transmission and can generally unclutter small areas.



COMMERCIAL

As mentioned in our company profile, our commercial division can cater for any project, from the small office building to the towering 40 storey sky scraper. Our team of balustrading experts can provide important assistance during the design stages of any commercial project. We pride ourselves on being able to provide cost effective solutions in the construction of balustrading systems in line with architectural trends and to cope with the ever changing building codes and environment.

Our experience within the industry has helped with the design of some new and innovative products such as our Yarra suite extensively used on a number of dockland buildings and our cable handrail, designed to cater for the recent change to AS1288 effectively making frameless glass balustrading obsolete.

We are committed to developing and maintaining a strong safety culture in all aspects of our business. We have developed a comprehensive safety plan and conduct compulsory training and induction programs for employees and subcontractors. We comply with and support the Victorian Building Industry Agreement (VBIA) maintaining a healthy relationship with Unions and other authorities.



TYPE 1001 WATERFRONT APARTMENTS



TYPE 1001 RUSDEN APARTMENTS



YARRA SUITE LORNE CHALET



YARRA SUITE BEACON COVE



CONDER APARTMENT CONDER SUITE



BUILDINGS 1-5 YARRA EDGE

TECHNICAL DATA

Balustrading

All balustrading is designed to conform to Australian Standards AS1170 – 'Structural Design Actions' and when glass is used AS1288 – 'Glass in Buildings – Selection & Installation'.

Pool Fencing

Designed to the same standards as our balustrading but also compiling with Australian Standard AS1926 – 'Swimming Pool Safety'.

Glass

Glass is supplied and installed to Australian Standard AS1288 (2006). Glass thickness from 6mm to 19mm are available to suite any application. Various tints are also available including obscure glass for privacy. Our glass is locally produced and toughend for strength and safety.



Aluminium Components

Aluminium Extrusions

Extrusions are manufactured locally using both general purpose alloy 6063-T5 and structural alloy 6061-T6 where applicable. Aluminium has natural corrosion resistance in its raw form but is generally coated for aesthetics. To provide a 7 Year guarantee all extrusions used in the manufacture of balustrading or pool fencing are pre cut and punched prior to coating so as to alleviate any form of corrosion or paint adhesion failure.

Hardware

All hardware and components are made from either aluminium or stainless steel to ensure a rust free product.

Aluminium Castings

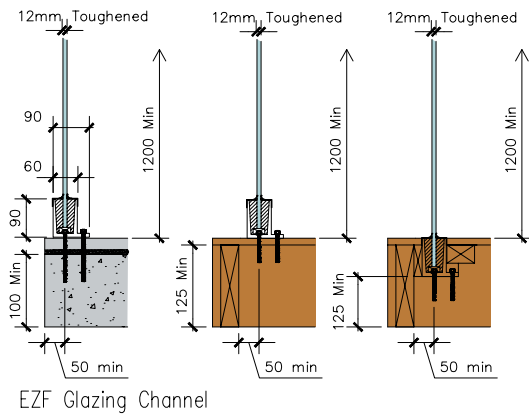
Castings are also manufactured locally in a heat treatable alloy AC601-T5. Due to the characteristics of cast alloy we are unable to anodize products and only provide powder coat finishing.

Powder Coating

There is a large range of colours available in the powder coat range some of which simulate an anodized finish for those wanting to match colours. Our powder coating conforms to Australian Standard AS3175 'Metal Finishing – Thermoset powder coatings for architectural applications' furthering our commitment to quality.

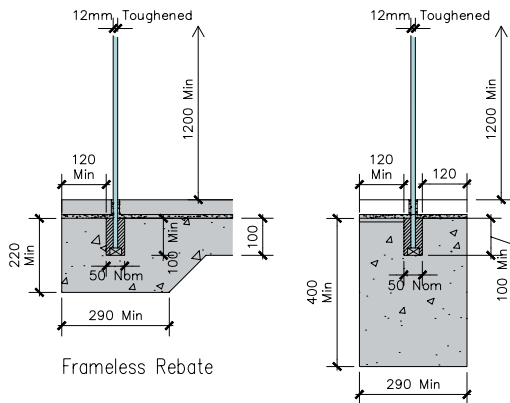


FIXING DETAILS



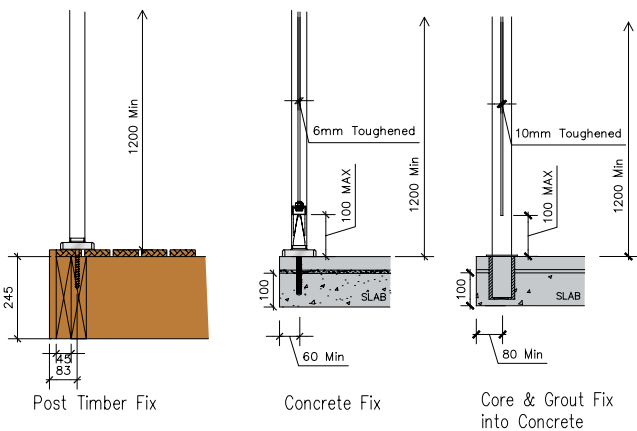
Typical – Frameless Channel Fixings

- Powder coated Aluminium Channel
- Coarse thread Coach Screw on timber
- Chemical fastener (Chemset) on Concrete
- Non Shrink Grout Glass Fixing Method



Typical – Frameless Rebated Channel

- Formed Rebate in Slab by others
- Conducive to new pool installation.
- Non Shrink Grout Glass fixing method
- Installation – New Concrete Slab



Typical Post Fixing

- Single pin fix system – M12 Stainless Steel
- Coarse thread Lag Screw on Timber
- Chemical fastener (Chemset) on Concrete
- Optional Core Drill and Grout on Concrete
- No Visible base fixings – Bolt inside post
- Installation – Timber, Concrete or Steel



TYPES OF BALUSTRADING & POOL FENCE

Fully Framed

- Fully Framed Pool Fencing
- Standard with 6mm Toughened Glass
- Choice of Oblong or Round Hand Rails
- Post spacing max. of 1500mm centres
- Installation – Timber, Concrete or Steel

Semi Frameless

- Standard with 10mm Toughened Glass
- Post spacing max. of 1500mm centres (10mm Glass)
- Post spacing max. of 1800mm centres (12mm Glass)
- Short Post Option (Min 900mm)
- Installation – Timber, Concrete or Steel

Frameless

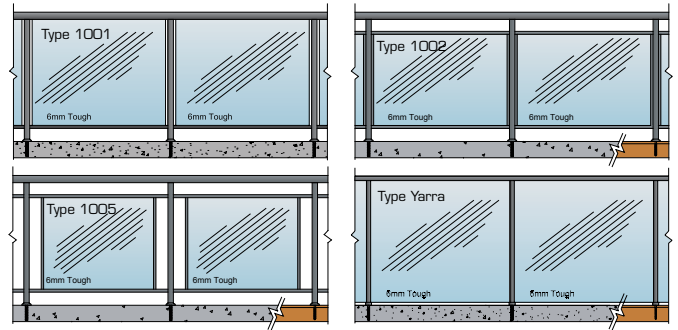
- Standard with 12mm Toughened Glass
- Glass Panels 1200 – 2500mm (12mm Glass)
- Installation – Timber, Concrete or Steel
- Rebated Concrete, Clamps, Top Fix Channel

Stainless Steel 316 Marine Grade

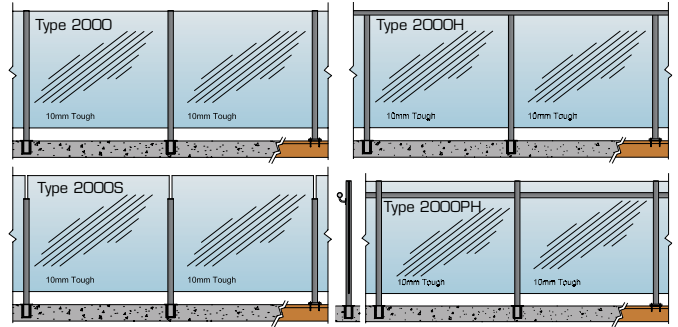
- Semi Frameless and Fully Framed
- Standard with 10mm Toughened Glass
- Post spacing max. of 1200mm centres (10mm Glass)
- Post spacing max. of 1500mm centres (12mm Glass)
- Short Post Option (Min 900mm)
- Installation – Timber, Concrete or Steel

Baluster infill - Aluminium

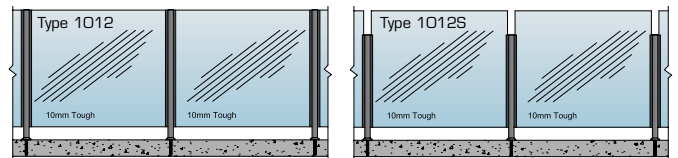
- 20 x 20 Square Balusters only
- Post spacing max. of 1500mm Balustrading
- Post spacing max. of 1800mm Pool Fencing
- Installation – Timber, Concrete or Steel



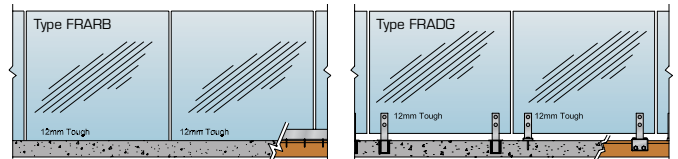
Fully Framed



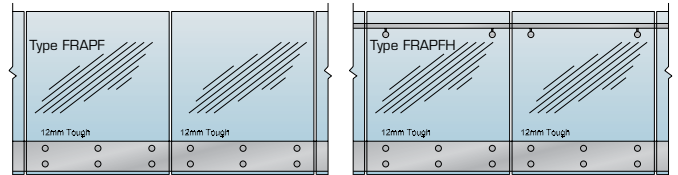
Semi Frameless Nu-Lite 2000



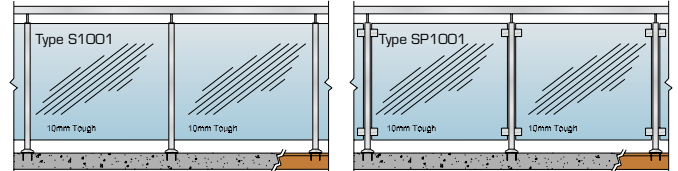
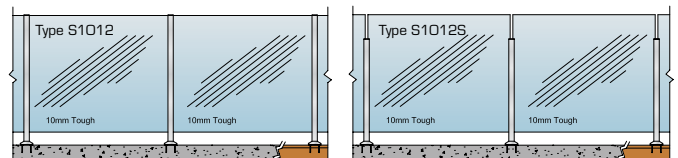
Semi Frameless 1012



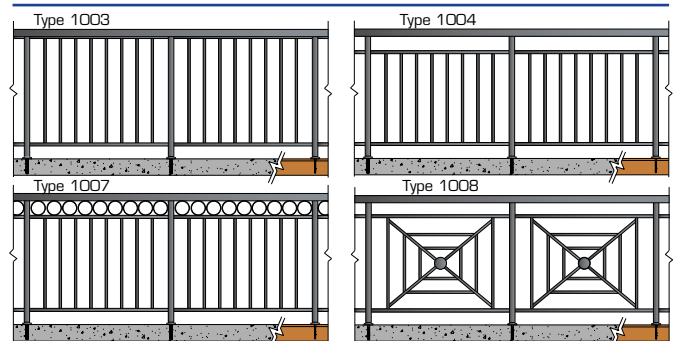
Frameless



Patch



Stainless Steel



Baluster

Nu-Lite Balustrading Pty Ltd
 Aluminium, Stainless Steel &
 Glass Balustrading & Pool Fencing
P:(03) 9706 6766 F:(03) 9706 4994
 E: sales@nu-lite.com.au
Showroom & Factory Located at:
 6 Nicholas Drive, Dandenong South Vic 3175
www.nu-lite.com.au

Distributed by: