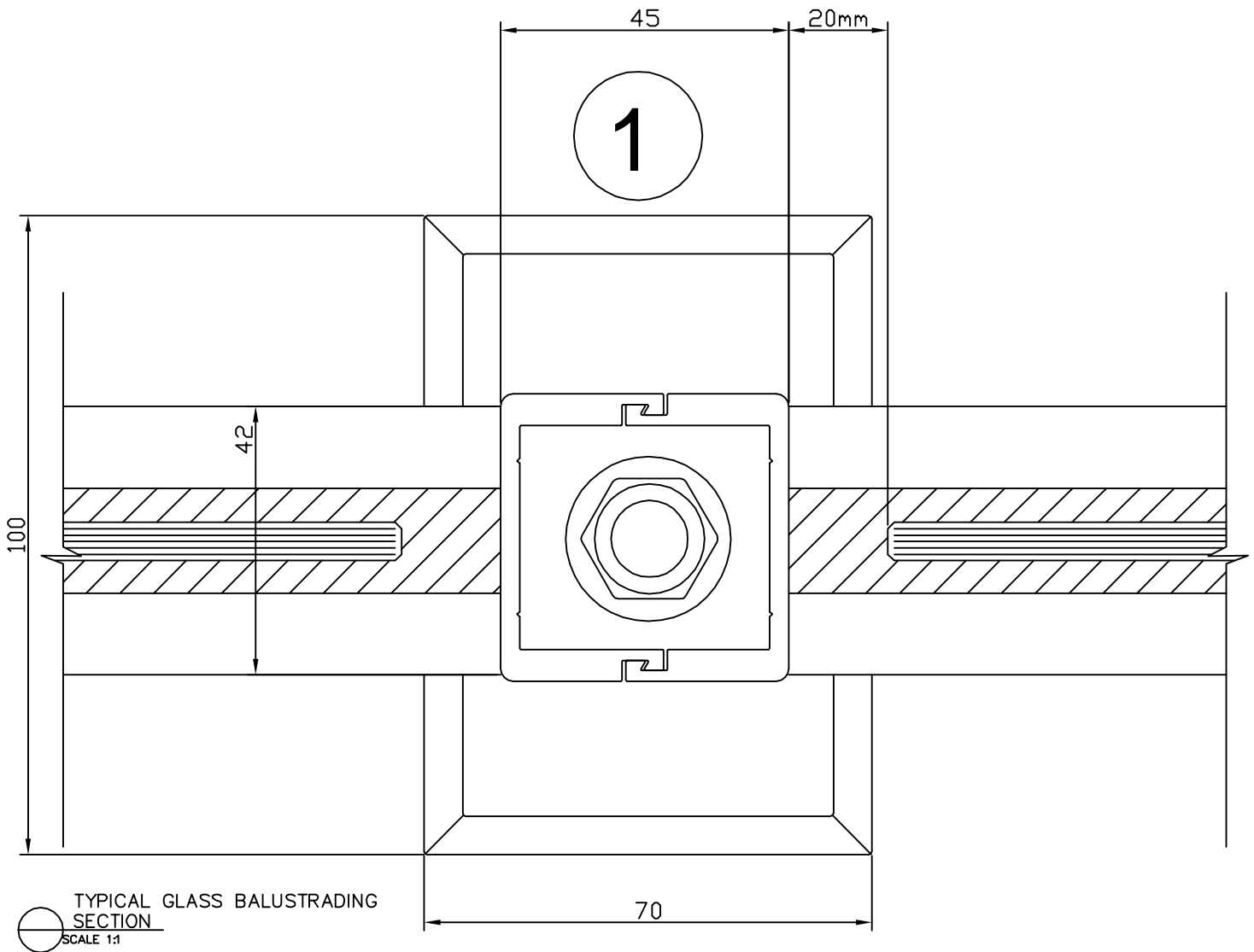
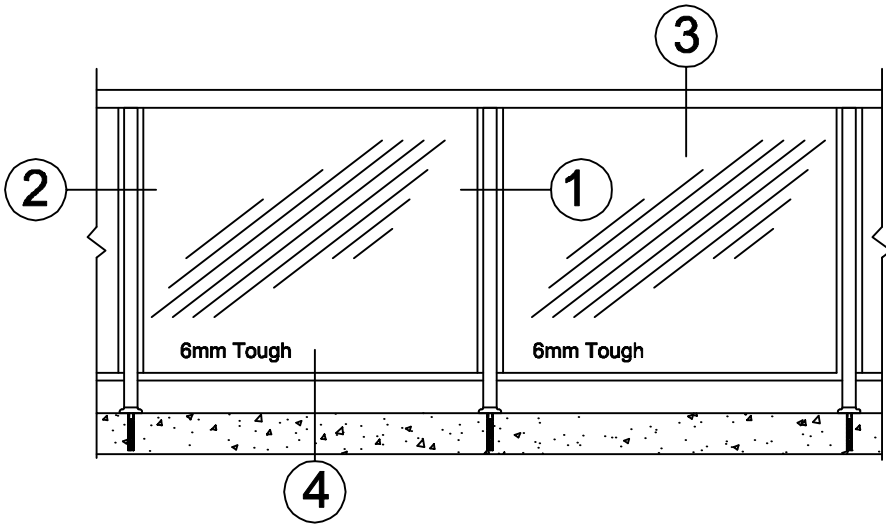


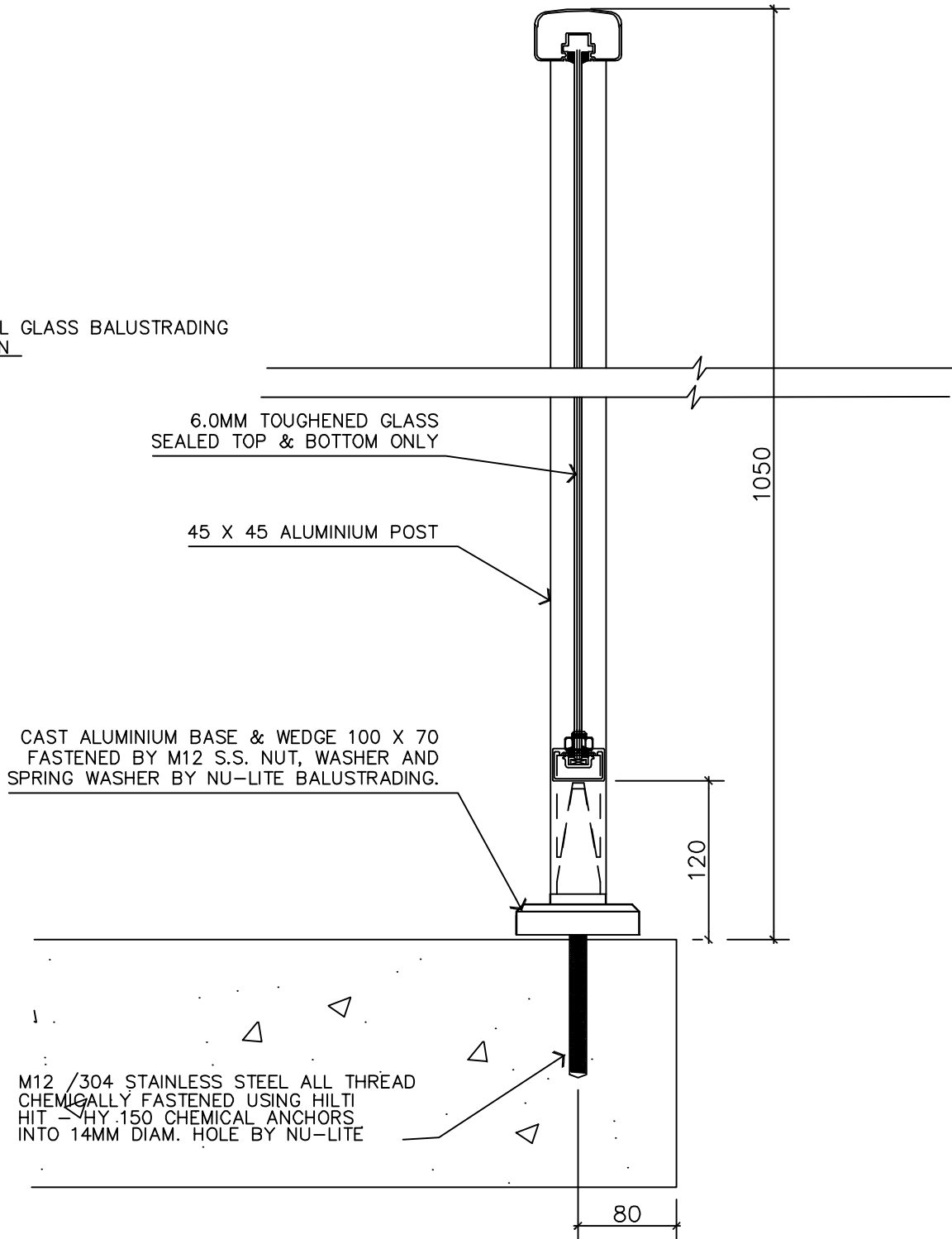
Customer Name	Drawn by T.C.	Checked by	Approved by - date	Date 11/10/07	Scale 1 : 1
Application Nu-lite Type 1001 Fully Framed Typical Aluminium Glazed Balustrade	Part Number		Nu-Lite Balustrading		
Notes Typical Sections/Details	Edition 1st	Sheet 1 of 2	6 Nicholas Drive Dandenong Sth 3175 Ph. 03 9706 6766 Fax. 03 9706 4994 © Nu-Lite Balustrading 2003		



TYPICAL GLASS BALUSTRADING SECTION
 SCALE 1:1

Customer Name	Drawn by T.C.	Checked by	Approved by - date	Date 11/10/07	Scale 1 : 1
Application Nu-lite Type 1001 Fully Framed Typical Aluminium Glazed Balustrade	Part Number		Nu-Lite Balustrading 6 Nicholas Drive Dandenong Sth 3175 Ph. 03 9706 6766 Fax. 03 9706 4994 © Nu-Lite Balustrading 2003		
Notes Typical Sections/Details	Edition 1st	Sheet 1 of 2			

3
01 TYPICAL GLASS BALUSTRADING SECTION SCALE 1:5



4
01 TYPICAL GLASS BALUSTRADING SECTION SCALE 1:5

Customer Name	Drawn by T.C.	Checked by	Approved by - date	Date 11/10/07	Scale 1 : 5
Application Nu-lite Type 1001 Fully Framed Typical Aluminium Glazed Balustrade	Part Number		Nu-Lite Balustrading		
Notes Typical Sections/Details	Edition 1st	Sheet 1 of 2	6 Nicholas Drive Dandenong Sth 3175 Ph. 03 9706 6766 Fax. 03 9706 4994 © Nu-Lite Balustrading 2003		

3
SECTION
01 SCALE 1:5

TYPICAL GLASS BALUSTRADING

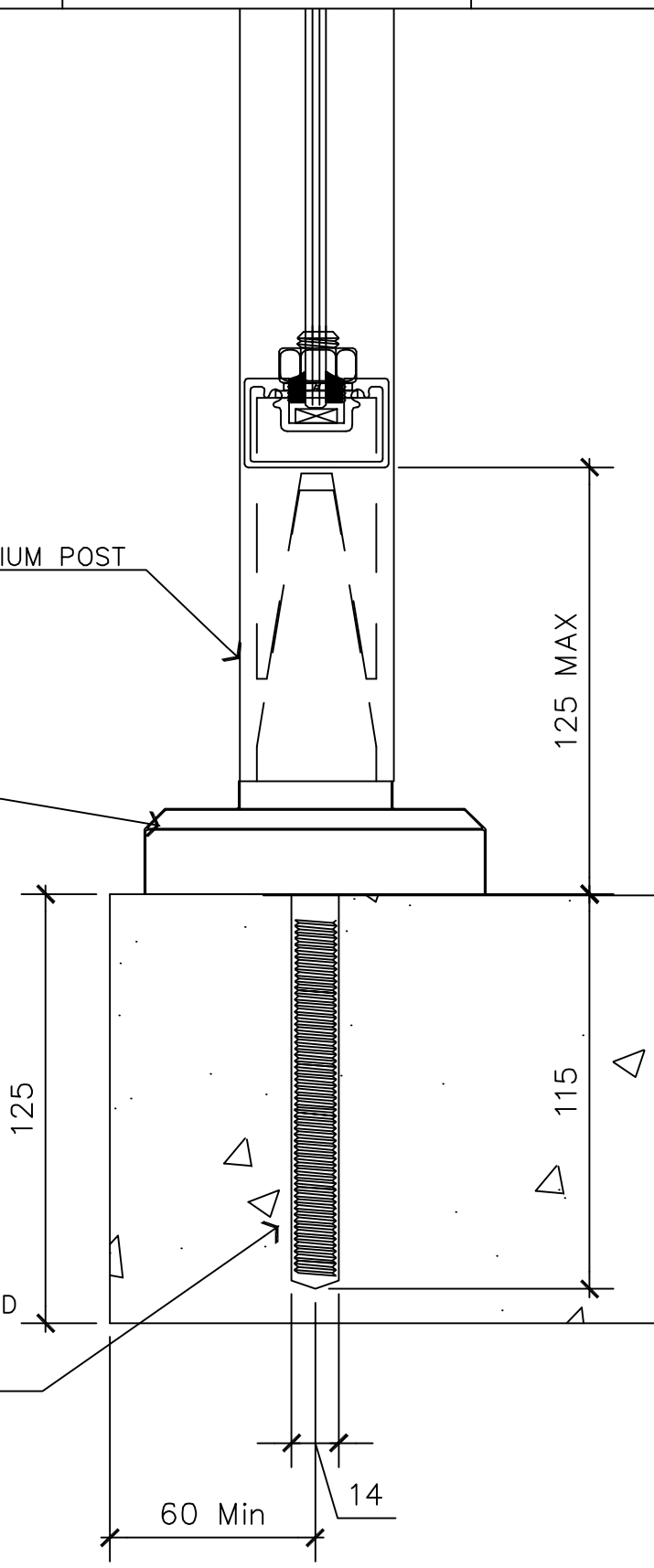
45 X 45 ALUMINIUM POST

CAST ALUMINIUM BASE & WEDGE 100 X 75
FASTENED BY M12 S.S. NUT, WASHER AND
SPRING WASHER BY NU-LITE BALUSTRADING.

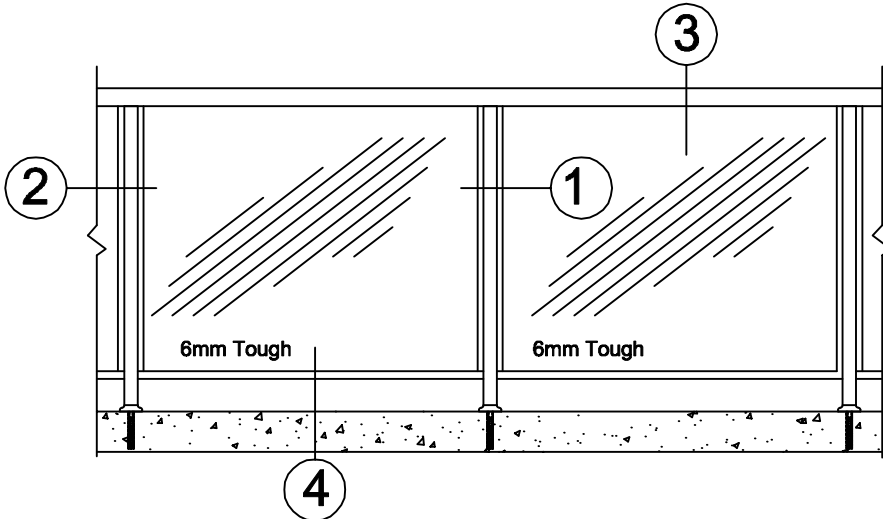
M12 /316 STAINLESS STEEL ALL THREAD
CHEMICALLY FASTENED USING HILTI
HIT - HY 150 CHEMICAL ANCHORS
INTO 14MM DIAM. HOLE BY NU-LITE

4
DETAIL
01 SCALE 1:2

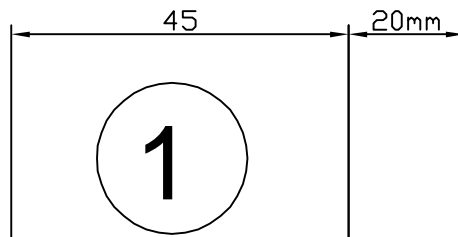
TYPICAL GLASS BALUSTRADING



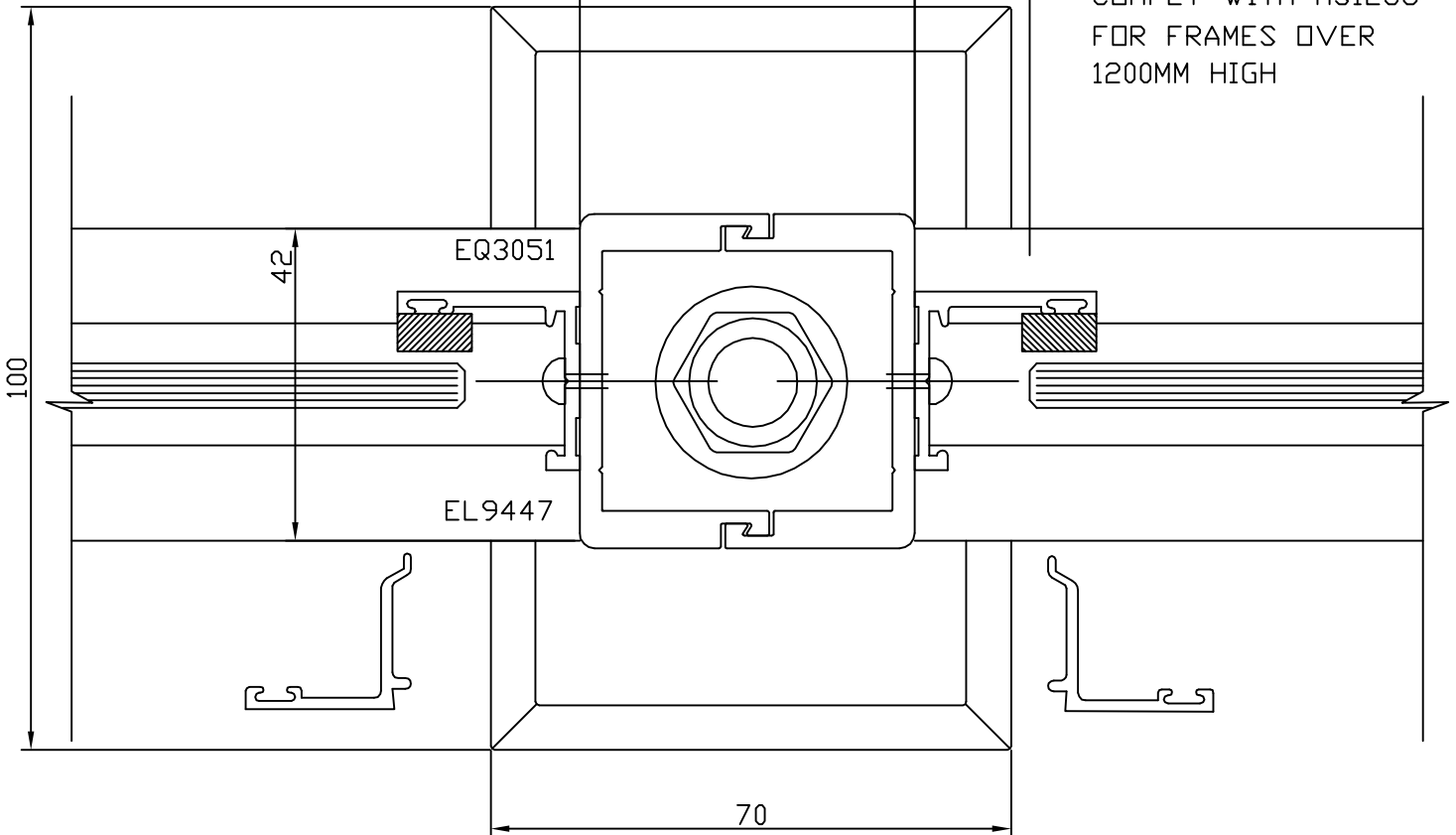
Customer Name	Drawn by T.C.	Checked by	Approved by - date	Date 11/10/07	Scale 1 : 2
Application Nu-lite Type 1001 Fully Framed Typical Aluminium Glazed Balustrade	Part Number		Nu-Lite Balustrading		
Notes Typical fixing details as tested on test no. 935-052D for Regency.	Edition 1st	Sheet 1 of 2	6 Nicholas Drive Dandenong Sth 3175 Ph. 03 9706 6766 Fax. 03 9706 4994 © Nu-Lite Balustrading 2003		



TYPICAL GLASS BALUSTRADING
ELEVATION
SCALE N.T.S

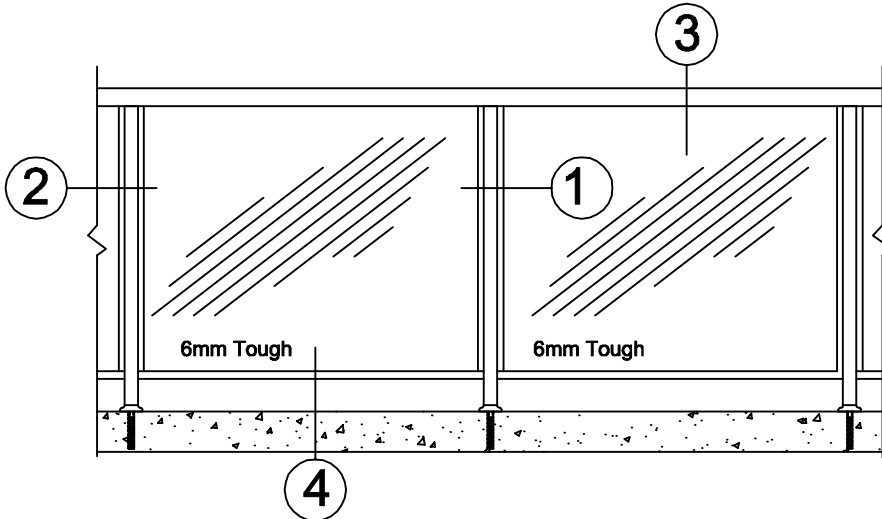


FOUR SIDE SEAL TO
COMPLY WITH AS1288
FOR FRAMES OVER
1200MM HIGH

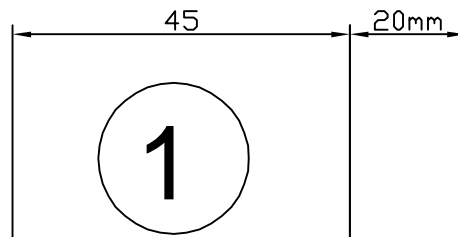


TYPICAL GLASS BALUSTRADING
SECTION
SCALE 1:1

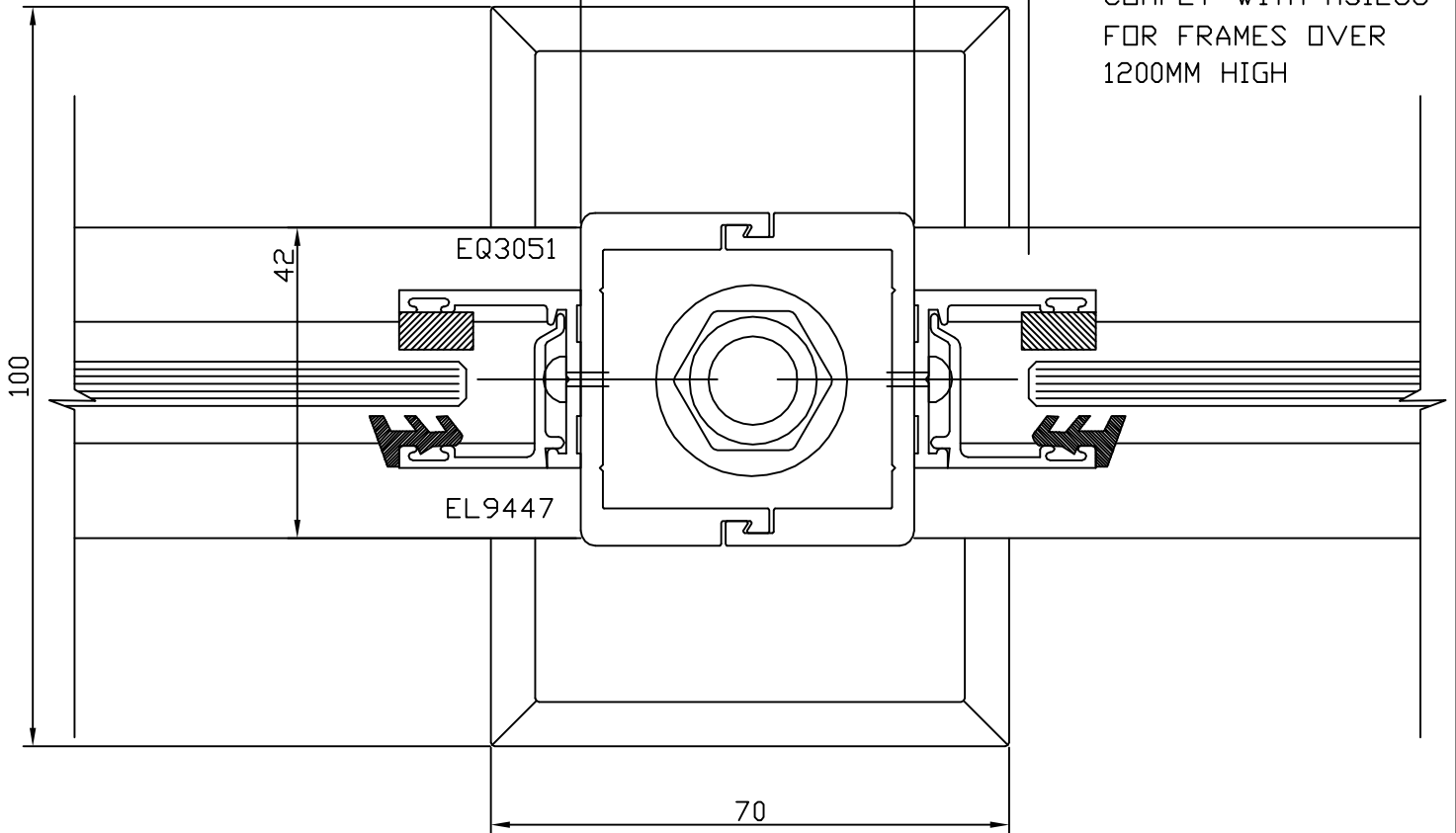
Customer Name	Drawn by T.C.	Checked by	Approved by - date	Date 11/10/07	Scale 1 : 1
Application Nu-lite Type 1001 Fully Framed Typical Aluminium Glazed Balustrade	Part Number		Nu-Lite Balustrading		
Notes Typical Detail for balustrading greater than 1200mm high- 4 sided seal.	Edition 1st	Sheet 1 of 2	6 Nicholas Drive Dandenong Sth 3175 Ph. 03 9706 6766 Fax. 03 9706 4994 © Nu-Lite Balustrading 2003		



○ 1 TYPICAL GLASS BALUSTRADING
 ELEVATION
 SCALE N.T.S

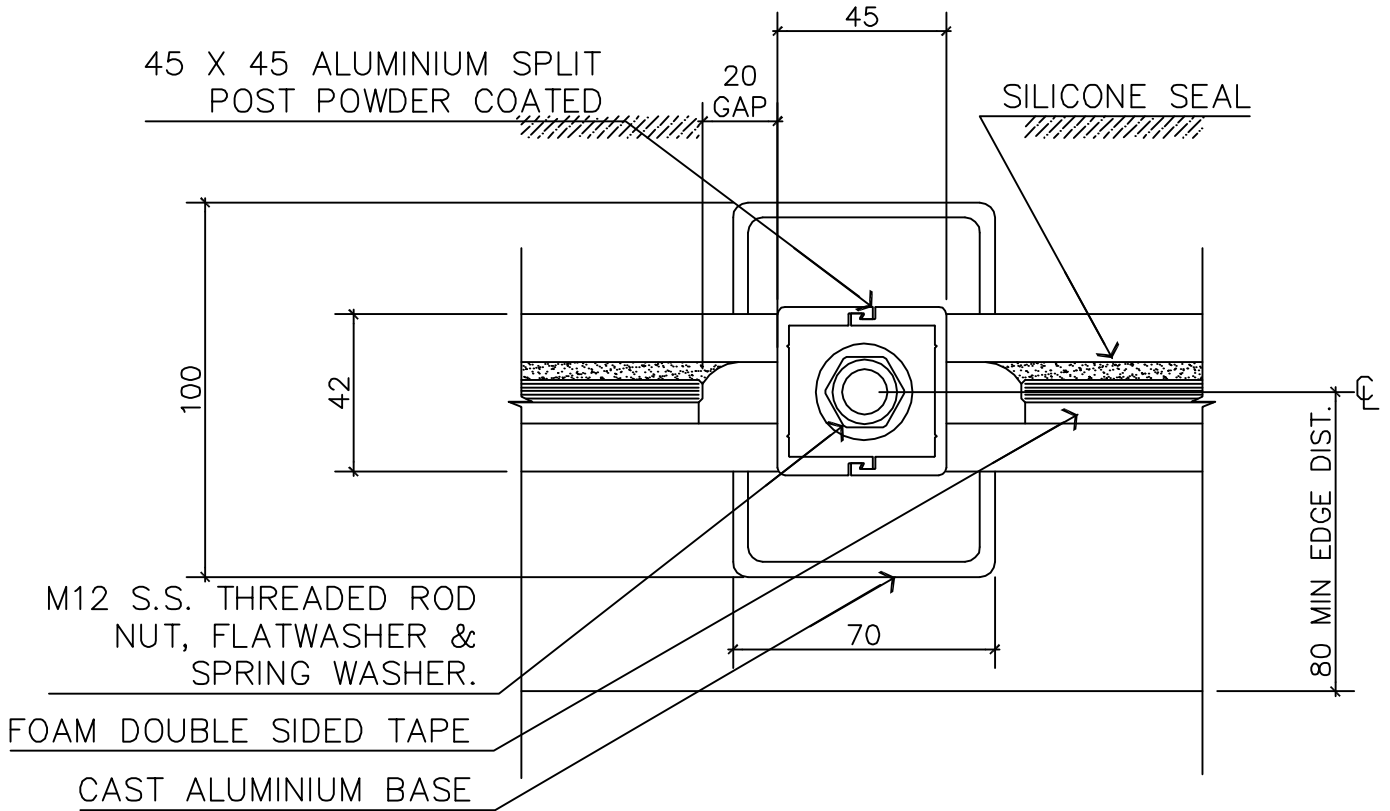


FOUR SIDE SEAL TO
 COMPLY WITH AS1288
 FOR FRAMES OVER
 1200MM HIGH

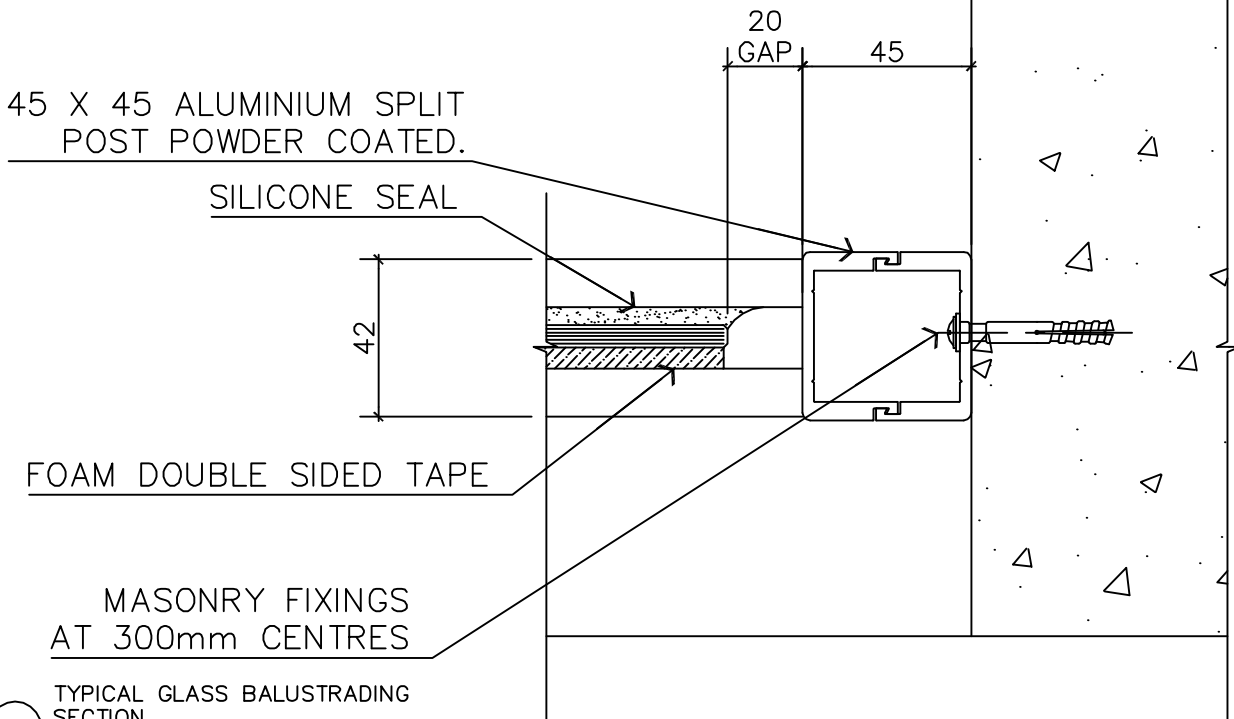


○ 1 TYPICAL GLASS BALUSTRADING
 SECTION
 SCALE 1:1

Customer Name	Drawn by T.C.	Checked by	Approved by - date	Date 11/10/07	Scale 1 : 1
Application Nu-lite Type 1001 Fully Framed Typical Aluminium Glazed Balustrade	Part Number		Nu-Lite Balustrading		
Notes Typical Detail for balustrading greater than 1200mm high- 4 sided seal.	Edition 1st	Sheet 1 of 2	6 Nicholas Drive Dandenong Sth 3175 Ph. 03 9706 6766 Fax. 03 9706 4994 © Nu-Lite Balustrading 2003		

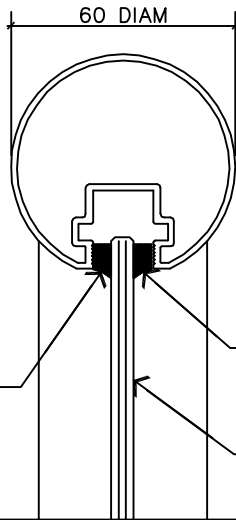


TYPICAL GLASS BALUSTRADING
 SECTION
 SCALE 1 : 2



TYPICAL GLASS BALUSTRADING
 SECTION
 SCALE 1:2

Customer Name	Drawn by T.C.	Checked by	Approved by - date	Date 11/10/07	Scale 1 : 2
Application Nu-lite Type 1001 Fully Framed Typical Aluminium Glazed Balustrade	Part Number		Nu-Lite Balustrading		
Notes Typical Fixing Detail for balustrading	Edition 1st	Sheet 1 of 2	6 Nicholas Drive Dandenong Sth 3175 Ph. 03 9706 6766 Fax. 03 9706 4994 © Nu-Lite Balustrading 2003		



DOUBLE SIDED
 GLAZING TAPE

SILICONE SEAL

6.0MM CLEAR
 TOUGHENED GLASS

TYPICAL GLASS BALUSTRADING
 SECTION
 SCALE 1 : 2

6.38MM CLEAR LAMINATED GLASS

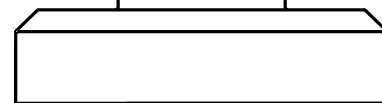
DOUBLE SIDED
 GLAZING TAPE

SILICONE SEAL

45 X 45 ALUMINIUM SPLIT
 POST POWDER COATED

CAST ALUMINIUM BASE
 POWDER COATED FINISH.

125 MAX

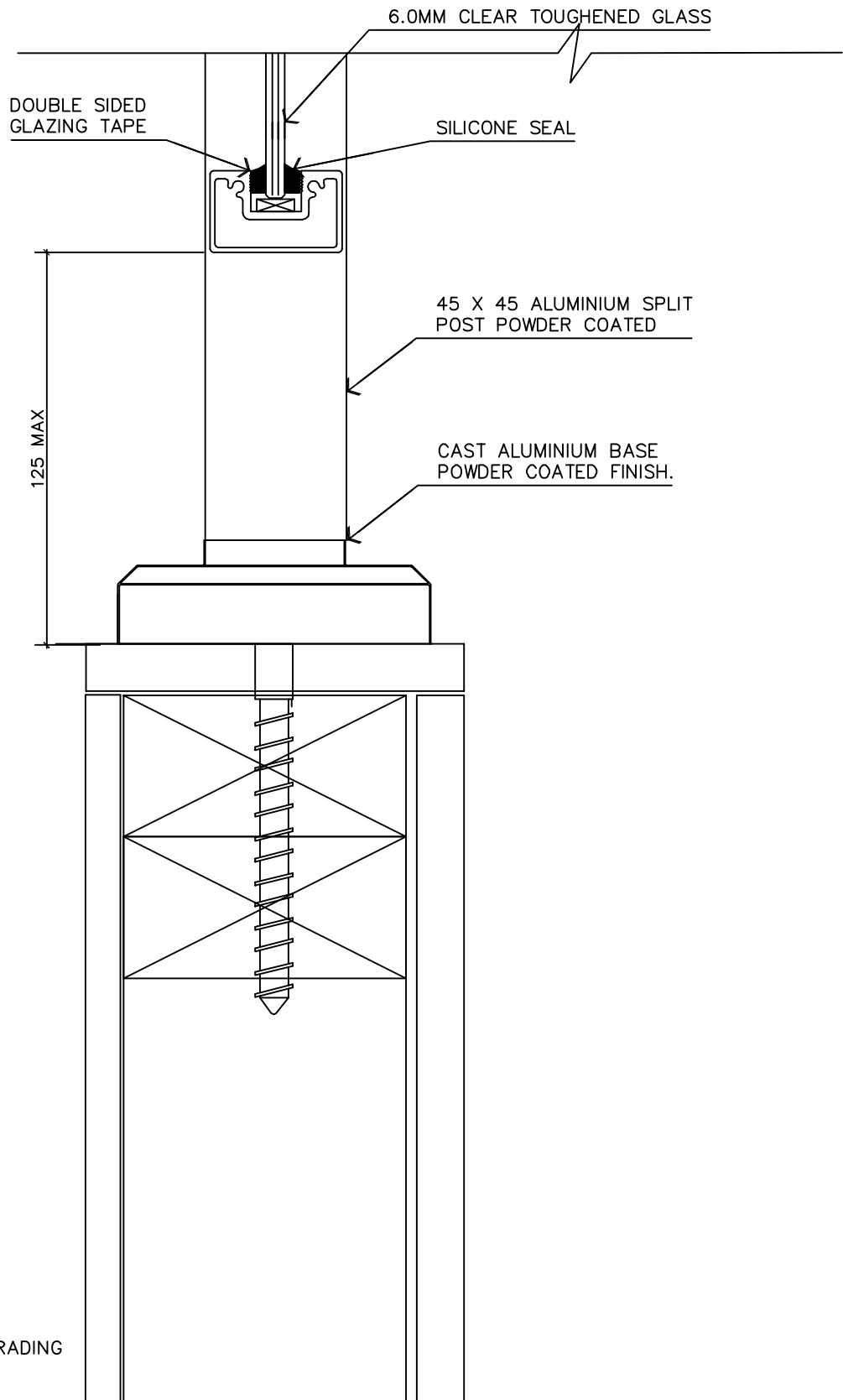


24

M12 /316 STAINLESS STEEL ALL THREAD
 DRILLED & TAPPED THRU' STEEL BEAM
 WITH S.S. FLAT WASHER, SPRING WASHER
 AND M12 ACORN NUT.

TYPICAL GLASS BALUSTRADING
 SECTION
 SCALE 1:2

Customer Name	Drawn by T.C.	Checked by	Approved by - date	Date 11/10/07	Scale 1 : 2
Application Nu-lite Type 1001 Fully Framed Typical Aluminium Glazed Balustrade	Part Number		Nu-Lite Balustrading		
Notes Typical Steel Fixing Detail for balustrading.	Edition 1st	Sheet 1 of 2	6 Nicholas Drive Dandenong Sth 3175 Ph. 03 9706 6766 Fax. 03 9706 4994 © Nu-Lite Balustrading 2003		



Customer Name	Drawn by T.C.	Checked by	Approved by - date	Date 11/10/07	Scale 1 : 2
Application Nu-lite Type 1001 Fully Framed Typical Aluminium Glazed Balustrade	Part Number		Nu-Lite Balustrading		
Notes Typical Parapet Wall Timber Fixing Detail for balustrading.	Edition 1st	Sheet 1 of 2	6 Nicholas Drive Dandenong Sth 3175 Ph. 03 9706 6766 Fax. 03 9706 4994 © Nu-Lite Balustrading 2003		

Revision note

File Name:
NU-LITE_TYPE1001.DWG

Drawing Number:
TYPE1001_10

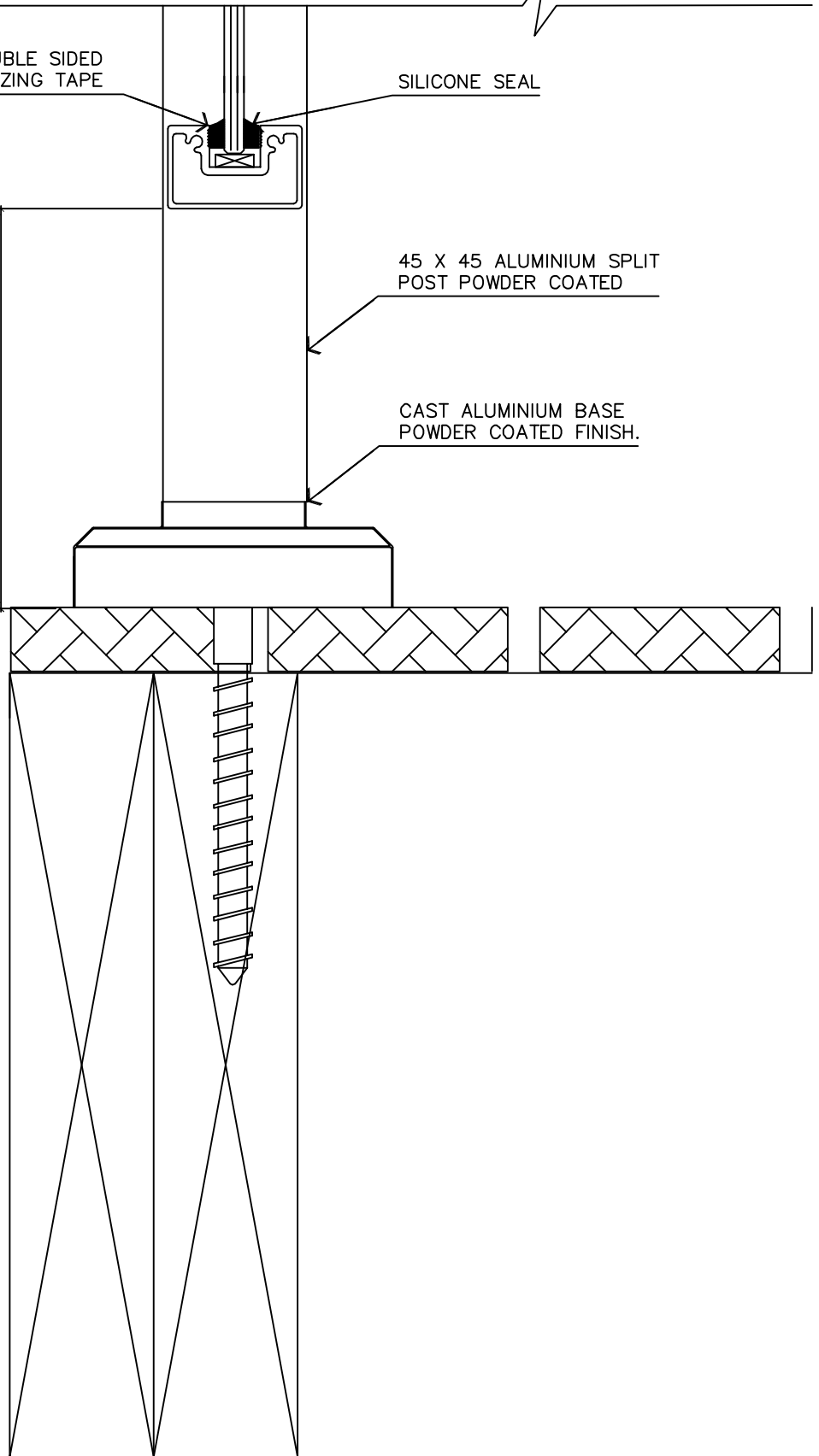
DOUBLE SIDED
GLAZING TAPE

SILICONE SEAL

45 X 45 ALUMINIUM SPLIT
POST POWDER COATED

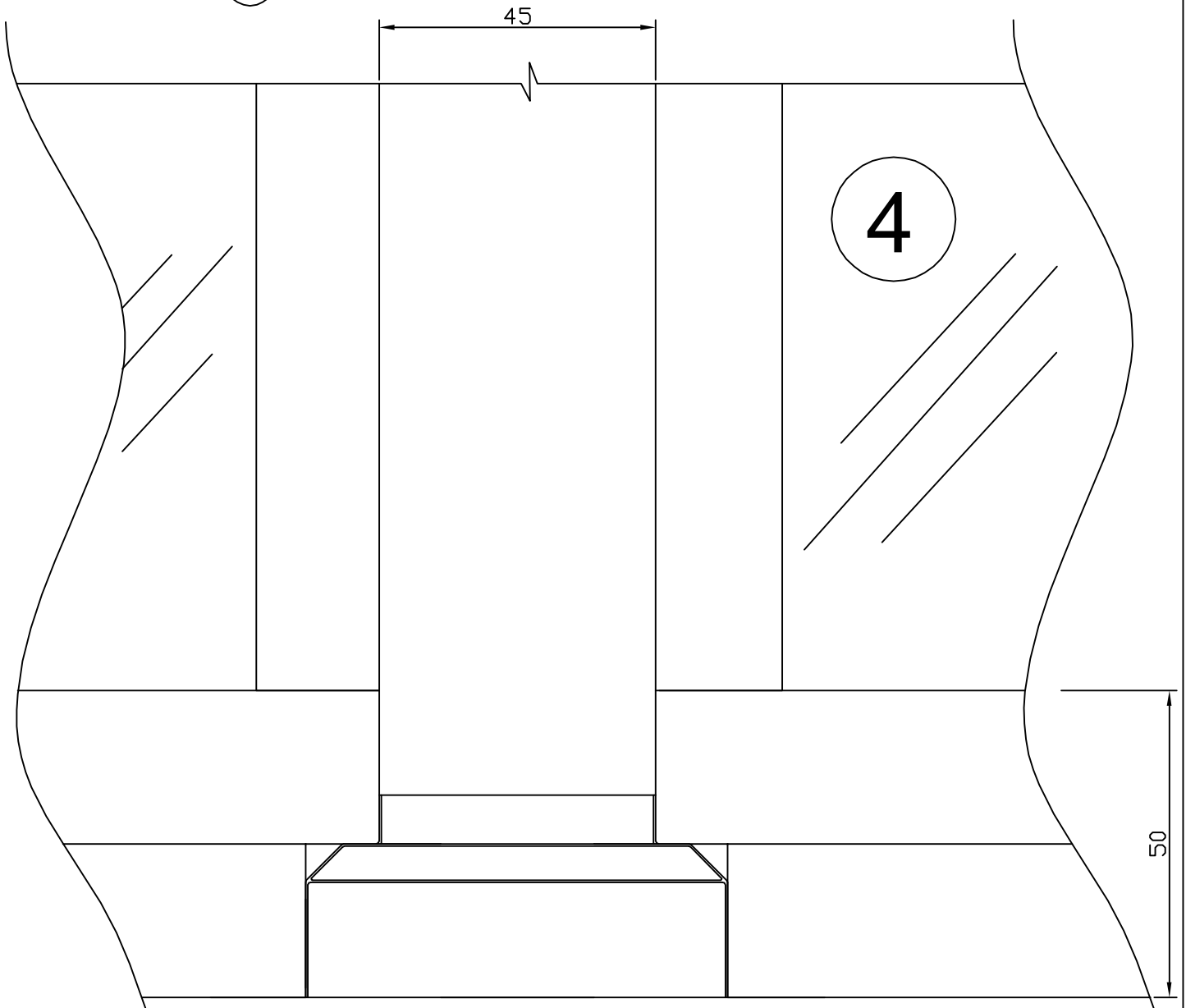
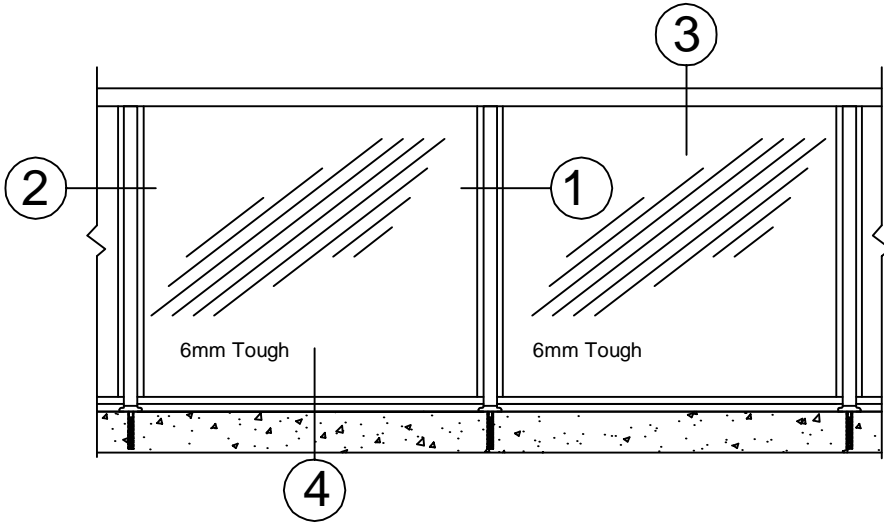
CAST ALUMINIUM BASE
POWDER COATED FINISH.

125 MAX

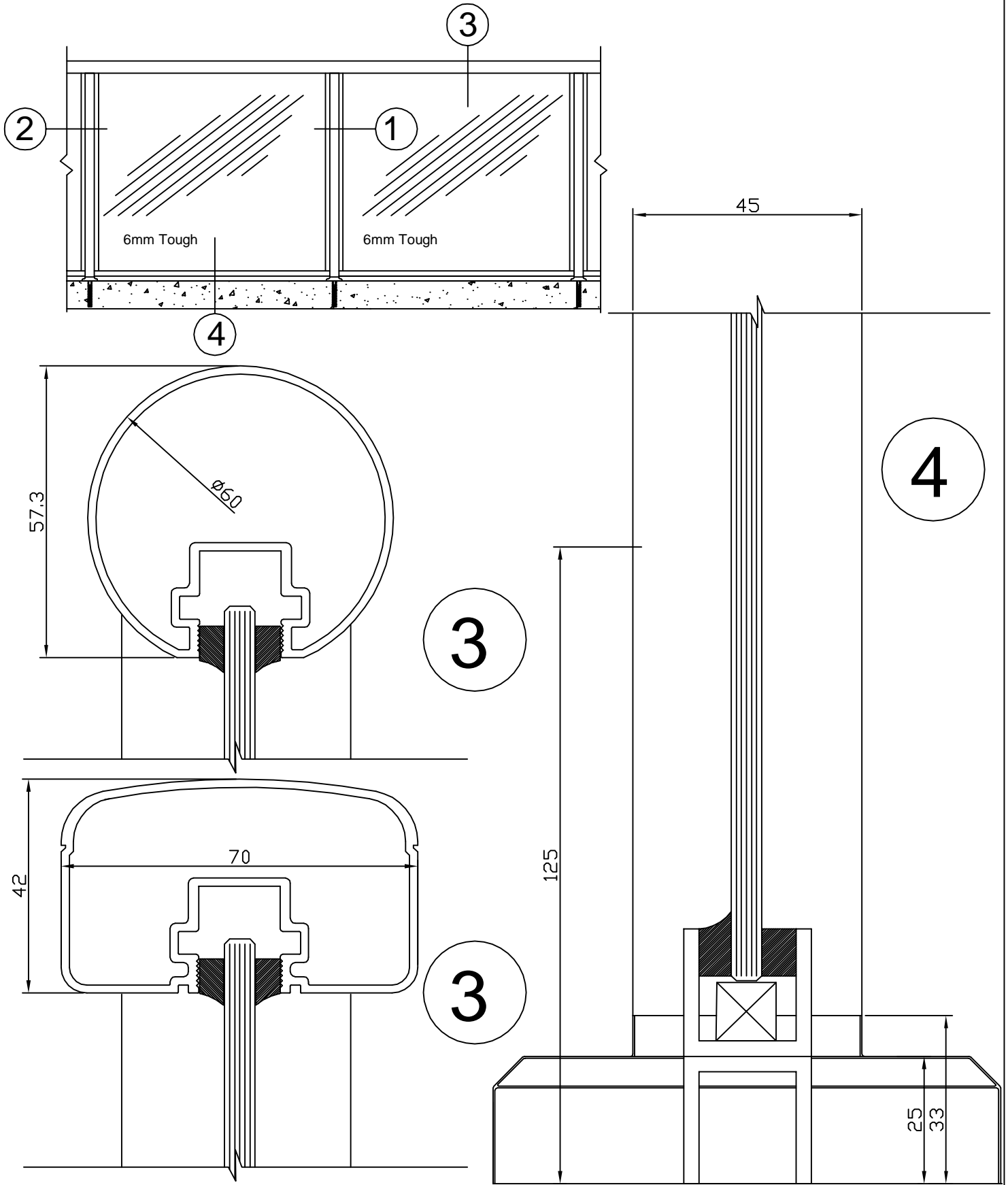


TYPICAL GLASS BALUSTRADING
SECTION
SCALE 1:2

Customer Name	Drawn by T.C.	Checked by	Approved by - date	Date 11/10/07	Scale 1 : 2
Application Nu-lite Type 1001 Fully Framed Typical Aluminium Glazed Balustrade	Part Number		Nu-Lite Balustrading		
Notes Typical Timber Deck Fixing Detail for balustrading.	Edition 1st	Sheet 1 of 2	6 Nicholas Drive Dandenong Sth 3175 Ph. 03 9706 6766 Fax. 03 9706 4994 © Nu-Lite Balustrading 2003		



Customer Name		Drawn by T.C.	Checked by	Approved by - date	Date 11/10/07	Scale 1 : 1
Application Nu-lite Type 1001 Fully Framed Typical Aluminium Glazed Balustrade		Part Number			Nu-Lite Balustrading 6 Nicholas Drive Dandenong Sth 3175 Ph. 03 9706 6766 Fax. 03 9706 4994 © Nu-Lite Balustrading 2003	
Notes Typical Detail for balustrading with no gap at bottom.		Edition 1st	Sheet 1 of 2			



Customer Name	Drawn by T.C.	Checked by	Approved by - date	Date 11/10/07	Scale 1 : 1
Application Nu-lite Type 1001 Fully Framed Typical Aluminium Glazed Balustrade	Part Number		Nu-Lite Balustrading 6 Nicholas Drive Dandenong Sth 3175 Ph. 03 9706 6766 Fax. 03 9706 4994 © Nu-Lite Balustrading 2003		
Notes Typical Detail for balustrading with no gap at bottom.	Edition 1st	Sheet 1 of 2			